

# OPERATING AND INSTALLATION INSTRUCTIONS

## SCAN-LINE 40, 50, 40B AND 50B

APPROVED FOR USE IN SMOKE CONTROL AREAS WHEN  
BURNING DRY WOOD LOGS OR AUTHORISED FUELS



[www.hetaheating.com](http://www.hetaheating.com)



GB

DANISH DESIGN . DANISH QUALITY . DANISH PRODUCTION


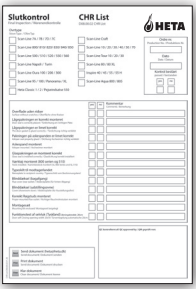


Congratulations on your new stove. We are sure that you will be happy with your investment, especially if you follow the advice and instructions we have put together in these operating instructions.

The Scan-Line 40/40B and 50/50B have been approved according to the EN 13240 / NS 3058 and NS 3059.

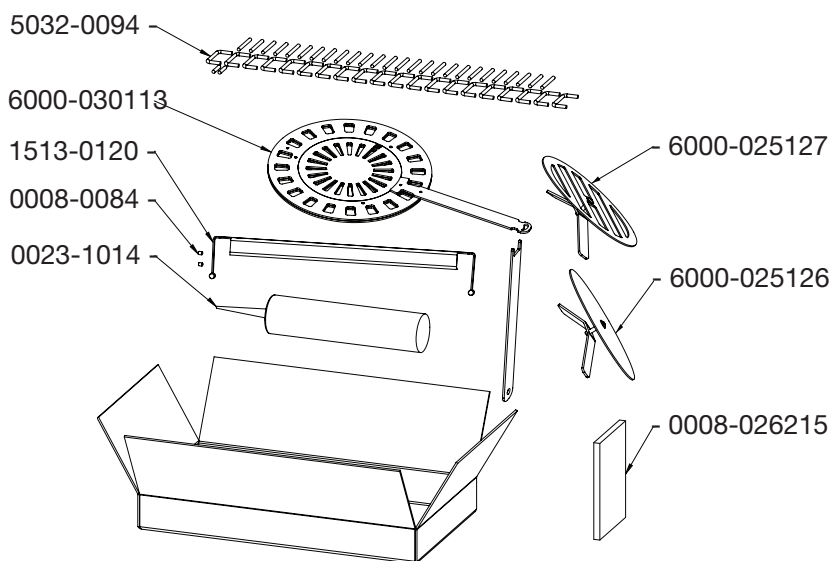
Approval means that consumers can be sure, that the stove meets a range of specifications and requirements intended to ensure that the materials used are of good quality, that the stove does not adversely affect the environment, and that it is economical to use.

The above declared values apply to all variants of the Scan-Line 40/40B and 50/50B.

## With your new wood stove you should find the following:

<p>Operating / Instruction manual</p>		<p>Q.C. check</p>	
<p>Heta glove 0023-9002</p>		<p>Data plate</p>	

Required tools are not supplied.



### Heta A/S

Jupitervej 22,  
DK-7620 Lemvig  
Phone: +45 9663 0600  
E-mail: heta@heta.dk

Copyright © 2014  
Heta is a registered  
trademark of Heta A/S

Printed in Denmark  
Subject to printing errors  
and changes.

14.02.2026  
0037-1445 Version 3,7

# INSTALLATION INSTRUCTIONS

## Safety clearances

Stoves must always be installed in line with national and, if applicable, local regulations. It is important to abide by local regulations regarding setting up chimneys and connection to same. Therefore, always consult your local chimney sweep before installation, as you are personally responsible for ensuring that the applicable regulations have been met.

## Distance regulations

There is a difference between installation next to flammable wall or non-flammable wall.

For non-combustible walls, a minimum of 5 cm is recommended between the oven and the wall for cleaning purposes behind the oven.

**The minimum distance to combustibles can be found on the model plate provided with the stove or on page 7 of this manual.**

## Warning



**A stove gets hot. (In excess of 90 degrees) Take care to ensure that children cannot come into contact with it.**

## IMPORTANT

1. Make sure there is adequate provision to sweep the chimney.
2. Make sure there is adequate ventilation to the room.
3. Please note that any extraction fans operating in the same room as the wood-burning stove can reduce the chimney draft – which may have an adverse effect on stove combustion properties. In addition, this may cause smoke to be emitted from the stove when the firing door is opened.
4. It must not be possible to cover any air vents.

## The floor

You must ensure that the floor can support the weight of the stove and a top-mounted steel chimney.

In front of the fireplace insert, the substrate must consist of non-combustible material, for ex. Steel/glass plate, stone or tile floor. The size of the non-combustible surface must follow the

applicable national and local regulations. Protecting your floor from embers that may fall out of the oven.

Distances see data table page 7.

Pay special attention to the distance from flammable floor, which is also valid even if there are a steel, glass, stone or tile over flammable materials.

## The chimney connection

The chimney opening must follow national and local regulations. However, the area of the opening should never be less than 175 cm<sup>2</sup>, which corresponds to a diameter of 150 mm. If a damper is fitted in the flue gas pipe, there must always be at least 20 cm<sup>2</sup> of free passage, even when the damper is in its “closed” position.

**Wood-burning stoves must never be connected to chimneys that are also linked to a gasfired heater.**

An efficient stove makes high demand on chimney properties – so always have your local chimney sweep evaluate your chimney.

## Connection to a brick chimney

Brick a thimble into the chimney and seat the flue gas pipe in this. The thimble and flue gas pipe must not penetrate the chimney opening itself, but must be flush with the inside of the chimney duct. Joins between brickwork, the thimble and flue gas pipe must be sealed with fireproof material and/or beading.

## Connection to a steel chimney

The steel chimney must meet T400 at least.

When installing the chimney through the ceiling, national and local regulations must be followed regarding distances to flammable materials.

It is important that the chimney is mounted with a roof support so that the stove’s top plate does not support the chimney (the stove is approved to be able to carry 120 kg.)

## Draft conditions

Poor draft may result in smoke being emitted from the stove when the door is opened. The minimum chimney draft to ensure satisfactory combustion in stoves of this kind is 11 PA. Howe-

ver, there will still be a risk of smoke emission if the firing door is opened during power full firing. The flue gas temperature at nominal output is 243°C when expelled to an exterior temperature of 20°C. The flue gas mass flow is 5,2 g/sec. Corresponding to 18.7 m<sup>3</sup> / hr of combustion air by burning 1.24 kg of wood. The chimney draft is generated by the difference between the high temperature of the chimney and the low temperature of the fresh air. The length and insulation of the chimney, wind and weather conditions also have an effect on the ability of the chimney to generate appropriate under-pressure.

If the stove has not been used in a while, check that the chimney and stove are not blocked with soot, bird nests, etc., before using it.

### Reduced draft can occur when:

- The difference in temperature is too small – due to insufficient chimney insulation, for example.

## INSTRUCTIONS FOR USE

### First firing

The stove paint is fully cured from the factory, but a minor unpleasant odour could still arise.

### Fuel

Your new stove is EN approved for firing with wood fuel. You must therefore only burn clean, dry wood in your stove. Never use your stove to burn driftwood, as this may contain a lot of salt which can damage both the stove and the chimney. Similarly, you must not fire your stove with refuse, painted wood, pressure-impregnated wood or chipboard, as these materials can emit poisonous fumes and smoke. Correct firing using well seasoned wood provides optimal heat output and maximum economy. At the same time, correct firing prevents environmental damage in the form of smoke and emissions and also reduces the risk of chimney fires. If the wood is wet and inadequately seasoned, a large proportion of the energy in the fuel will be used to vaporise the water, and this will all disappear up the chimney. Thus it is important to use dry, well seasoned wood, i.e. wood with a moisture content of no more than 20%. This is achieved by storing the wood for 1–2 years before use. Pieces of firewood with a diameter of more than 10 cm should be split before storing. The pieces of firewood should be of an appropriate length

- The outdoor temperature is too high – in summer, for example.
- No wind is blowing.
- The chimney is too low and sheltered.
- The chimney contains false air.
- The chimney and flue gas pipe are blocked.
- The house is too airtight (i.e. when there is an insufficient supply of fresh air).
- Poor smoke extraction (poor draft conditions) due to a cold chimney or bad weather conditions can be compensated for by increasing the airflow into the stove.

### Good draft occurs when:

- The difference in temperature between the chimney and outdoor air is high.
- The weather is fine.
- The wind is blowing strongly.

The chimney is of the correct height: at least 4.00 m above the stove and free of the roof ridge.

22-30 cm so that they can lie flat on the bed of embers. If you store your wood outdoors, it is best to cover it.

### Examples of recommended woods types

and their typical specific gravity per cubic meter stated as 100% wood with a moisture content of 18%

Wood	kg/m <sup>3</sup>	Wood	kg/m <sup>3</sup>
Beech	710	Willow	560
Oak	700	Alder	540
Ash	700	Scotch pine	520
Elm	690	Larch	520
Maple	660	Lime	510
Birch	620	Spruce	450
Mountain pine	600	Poplar	450

**It is advised not to use very oil-containing woods like teak tree and mahogany, as this can cause damage to the glass.**

### Heating value in wood

You have to use about 2.4 kg normal wood to replace one litre of heating oil. All woods have almost the same heating value per kg, which is about 5.27 kW/hour for absolute dry wood. Wood with a moistness of 18% has a efficiency

of about 4.18 kW/hour per kg, and one litre heating oil contains about 10 kW/hour.

## CO<sub>2</sub> release

At combustion 1000 litres of heating oil forms 3.171 tons CO<sub>2</sub>. As wood is a CO<sub>2</sub> neutral heat/energy source, you save the environment about 1.3 kg CO<sub>2</sub> every time you have used 1 kg normal wood.

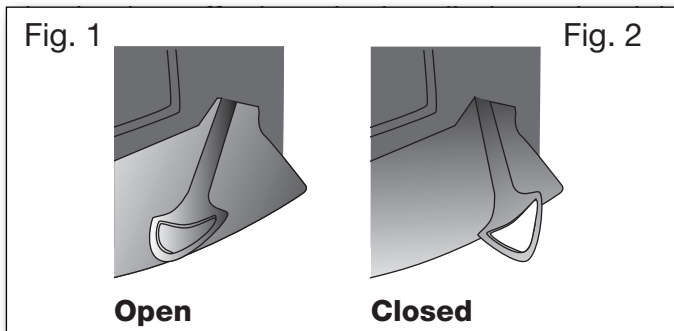
## Chimney fires

In the event of a chimney fire – which often results from incorrect operation or protracted firing with moist wood – close the door and shut off the secondary/start-up air supply to smother the fire. Call the fire department.

## Lighting and combustion

To open the flow of secondary air, use the operating handle at the front of the stove. The secondary airflow is completely open when the handle is to the left side position, fig. 1.

Shut off the secondary airflow gradually by moving the handle to the right. The supply is com-



## Lighting the stove

Place two pieces of wood on the bottom. Stack kindling on top in layers with air between. Setting fire starter (bag, brick, paraffin) on the top, now you are ready to light the fuel. The flames must work from the top down.



**The use of lighter fluid, oils or any liquid fuels is strictly forbidden from use in a wood stove.**

Fully open the combustion air and leave the door ajar (about 1 cm open). Once the fire is established and the chimney is hot (after about 3-5 minutes) closed door and regulate the air into operating position. We recommend, all of the first fuel is burned with the combustion air fully open in the operating position. This ensures the stove and chimney are thoroughly heated.

3



Startup/Lighting

Scan the code and select a language.

## Adding fuel

A fresh supply of fuel should normally be added while there is still a good layer of hot embers. Spread the embers over the base grate, most towards the front of the stove. Lay a single layer of wood fuel corresponding to about 1,24 kg over the embers, at right angles to the stove door. Turn handle into top position (max. Combustion- airflow). Keep door ajar if necessary. (The door should not be left open but fuel will ignite more quickly while the door is ajar.) The wood should ignite within a very short time (usually 1-3 minutes). If the door is ajar, close it as soon as the fuel is ignited. When the flames spread across the fuel stack, adjust the combustion airflow to the required level. Nominal operation 6,0 kW corresponds to 38% combustion airflow. When adding fuel, make sure that the fuel is not too tightly packed, as this will lead to poorer combustion and fuel inefficiency.

## Reduced burning

The stove is, approved for intermittent use.

Never turn down the air down so much that there does not come any flames from the tree. Wait to close the air until the flames have burnt out and the tree is transformed into glowing charcoal.

If you are looking for less heat out-put, achieve this by fueling with smaller volumes of wood and a lower operating air. You may not completely close the operating air during firing.

Be aware that the stove will naturally soot if the operating air is too low. This is not good for the environment. There is also a risk for the glass, the chimney and other parts will become sooted.

By a combination of the above and possibly burning damp wood. Can lead to high levels of soot that it becomes sticky. Causing the sealing of the door to tear off when opening the door the next day.



**Never use the stove if the seals are loose.**

## Optimal firing

To achieve optimal firing and the highest possible effect, it is important to make sure that the air supply is used correctly. As a general rule, the secondary air is to be used to control the fire to ignite the flue gases. This produces a high effect and keeps the glass panel completely clear of soot as the secondary air “washes” down over it. Please note that the stove will, naturally, produce soot if both the start-up mechanism\* and secondary air intakes are closed completely. This will prevent oxygen from being drawn into the stove, and the viewing window and other parts will become covered with soot. If this situation is combined with firing with wet wood, the build-up of soot can become so thick and sticky that the sealing rope can, for example, become detached when the door is opened the next day.

## Risk of explosion



**After you add new fuel, it is very important that you do not leave the stove unattended until the wood is burning constantly.**

This will normally occur within 30 to 60 seconds. A risk of explosion can possibly arise if too much wood is placed in the stove. This may result in the production of large volumes of gas, and this gas can explode if the intake of primary and secondary air is insufficient.

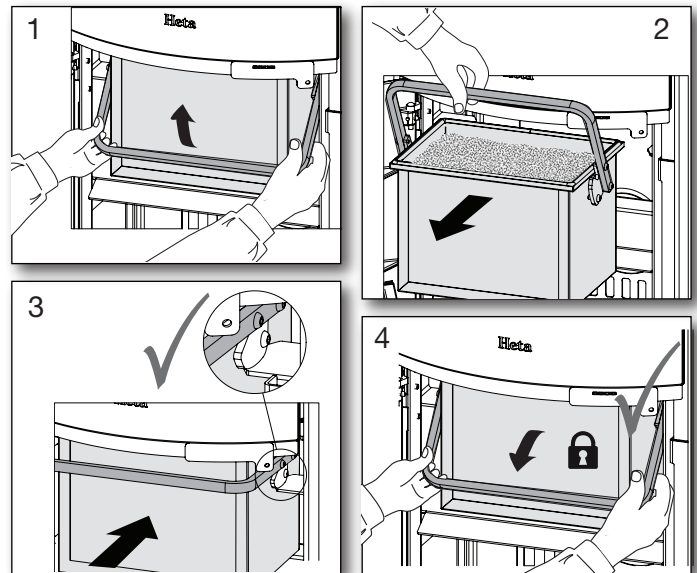
It is an advantage always to leave some ash lying in the bottom of the combustion chamber.



**When refueling a maximum load of wood may not exceed 1.6 kg. If this amount is exceeded, the guarantee will be void.**

## Emptying the ash pan

By using the shaker grate, it rotates back and forth so the ash falls through the holes and into the ashtray. It is advantageous to leave a layer of ash in the bottom of the combustion chamber on top of the grate as insulation.



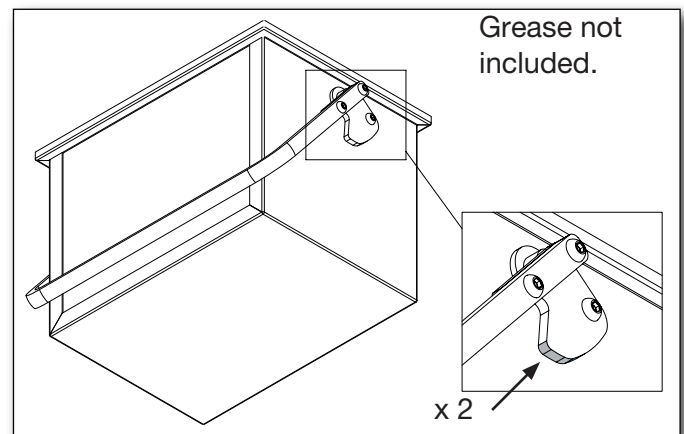
**Be careful when emptying the ashes out. There can be hot embers left for a long time. Never empty ash into a combustible container.**

**The ashtray must be secure and must not be able to move after being set in place.**



**Do not fire in the oven if the ashtray is not in place. The warranty is void if it is not complied with.**

## Lubricate Ash pan



## OPERATIONAL PROBLEMS

The chimney must be swept at least once a year, we recommend the use of a NACS (national association of chimney sweeps) registered chimney sweep. In the event of smoke or malodorous fumes being produced, you must first check to see whether the chimney is blocked. The chimney must, of course, always provide the minimum draught necessary to ensure that it is possible to regulate the fire. Please note, however, that chimney draft is dependent on the weather conditions. In high winds, the draft can become so powerful that it may be necessary

to fit a damper in the flue gas pipe to regulate the draft. When cleaning the chimney, soot and other deposits may come to fall on the smoke turning plate. In cases where the wood burns too quickly, this may be due to excessive chimney draught. You should also check to make sure that the door seal is intact and correctly fitting.

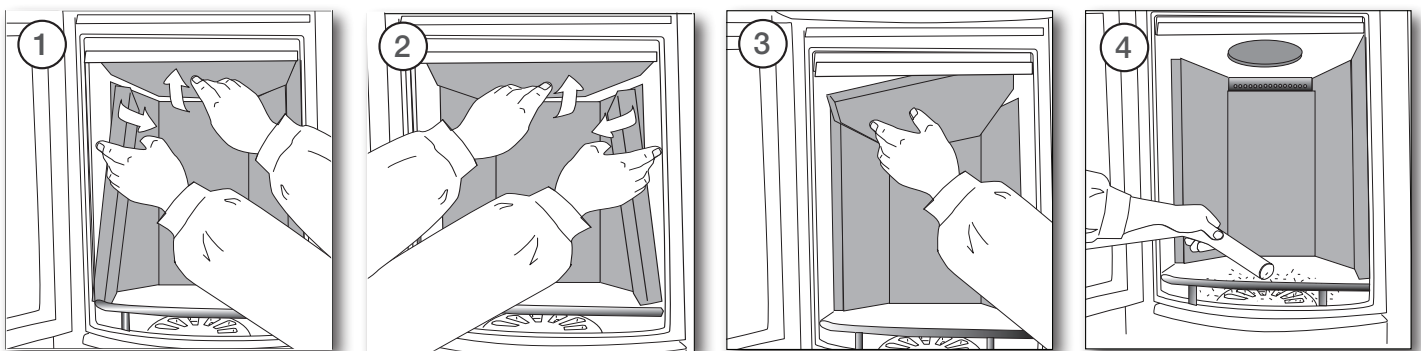
If the stove is generating too little heat, this may be because you are firing with wet wood. In this

case, much of the heating energy is used to dry the wood, resulting in poor heating economics and an increased risk of soot deposits in the chimney.

Check whether the air holes in the stones are blocked with for example ashes etc. Below the casted shaking grate is it possible to clean the air channel for the start-up airflow.

## Cleaning after sweeping or before replacing vermiculite stones

Note: it may be necessary to clean/vacuum the holes and air ducts behind the rear stone.



## Stove data table in accordance with EN 13240 testing.

Stove type Scan-Line series	Nominal fluegas temperature, at 20°C room temperature C°	Smoke stub mm	Fuel volume kg	Draught min mbar	Nominal output tested kW	Heat output %	Distance to flammable materials in mm		Distance to furnitures from the stove in mm	Stove weight kg
							behind the stove	at the sides the stove		
Scan-Line 40	243 C°	Ø150	1,24	0,11	6,0	82	150	350	1000	*
Scan-Line 50	243 C°	Ø150	1,24	0,11	6,0	82	150	350	1000	*

The nominal output is the output to which the stove has been tested.

The test was carried out with the secondary air 38% open.

Average temperature in the flue pipe connector: 292° C

\* SL 40 447 kg      \* SL 40B 445 kg      \* SL 40 Blackwood 440 kg

\* SL 50 536 kg      \* SL 50B 547 kg      \* SL 40B Blackwood 450 kg

## MAINTENANCE

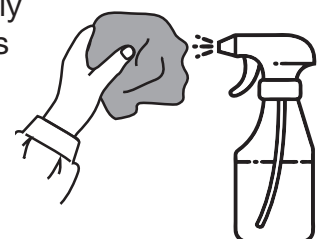
The surface of the stove is treated with a heat-resistant paint. The stove should be cleaned with a damp cloth.

Any damage to the surface in the form of chips or scratches can be repaired using touch-up paint, which is available in spray can

## Cleaning the glass

Incorrect firing, for example using wet wood, can result in the viewing window becoming covered in soot.

This can be removed easily and effectively using glass cleaner applied using a cloth.



Never apply spray directly to the glass.

## Stone surfaces

Clean soot, grease, etc. from surfaces using water and soft soap or similar.

- Spread the soap on the surface
- Let it stand a few minutes
- Rinse off the surface using hot water

### Cleaning soapstone surfaces

Soapstone is a relatively soft natural product. It is therefore possible to repair scratches or other damage to the surface.

- Once the surface is dry you can sand it gently if necessary using sandpaper (120 grit)

### Minor scratches and impact marks

Gently sand using sandpaper (120 grit) until the scratches are gone. It is a good idea to use a sanding block. To maintain a uniform surface on the stone, the entire surface should be gently sanded at the end.

## Chipped surfaces

This section covers more serious damage, such as if a piece has chipped off or is missing. If the chipped off piece is intact, it can be glued in place using 'waterglass' (available from Heta A/S). Apply waterglass to the surfaces, clamp in place for 24 hours, then sand using sandpaper (120 grit). If a piece is missing or an impact mark is deep, you can repair the damage using a mix of soapstone powder and waterglass (available from Heta A/S). Mix the powder and waterglass to an appropriate consistency. Clean off any dust before applying the mixture. Brush the surface with waterglass to ensure good adhesion. Apply the soapstone mixture generously, as it contracts during hardening. Do a repeat application if necessary. The hardened surface can be sanded after 24 hours. Use 60-80 grit sandpaper initially, and then 120 grit sandpaper to finish.

## Diagram for the maintenance

Maintenance / Period	Stove Owner					Qualified Technicia	
	Before Autum	Daily	1 week	30 days	60-90 days	1st Year	2st Year
Cleaning the chimney (see. Chimney)	C						
Cleaning the chimney and stove	C				C		
Cleaning the stoves firebox	C	VI			C		
Cleaning combustion air intake	C				C		
Cleaning ash bucket	C		VI	C			
Cleaning of the firebox	C		VI	C			
Checking / switch, gasket for door	C/S	VI					C/S
Checking / changing, gasket for glass	C/S	VI					C/S
Checking / switch, gasket for ashpan	C/S	VI					C/S
Checking / changing gasket for flue pipe	C/S	VI					C/S
Checking / changing vermiculite	C/S	VI					C/S
Lubricate hinges	L	VI			L		
Lubricate lock	L	VI			L		
Lubricate Ash pan	L				L		

C = Cleaning

L = Lubricate whit graphite spray

C/S = Checking / Switch

VI = Visual Inspection, pos. cleaning/replacing/adjusting

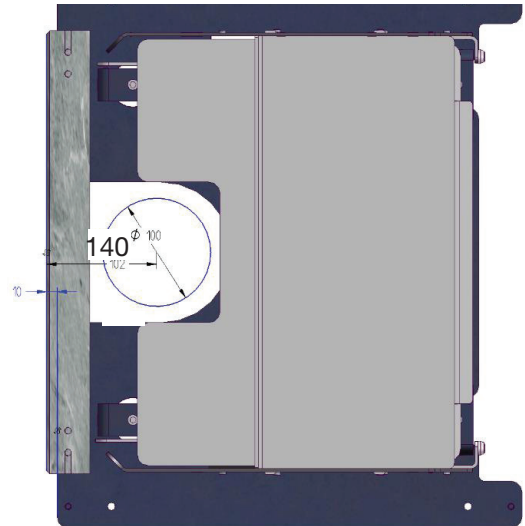
## Troubleshooting table - applies to all stove types

Fault	Cause	Troubleshooting	Solution
Lighting problems. When the stove is cold, smoke seeps into the room. Once the combustion chamber has heated up, the stove burns well.	Inadequate chimney draft. The chimney only has sufficient draft when it is hot.	You can test using a lighter whether flame is drawn into the combustion chamber.	Improve the chimney.
The stove burns poorly after the warm-up phase, and the glass slowly soots up.	Soot in the flue pipe.	Check the flue pipe regularly, as the problem arises slowly.	Clean regularly, and limit the use of horizontal flue pipes. Do not use firewood which generates large quantities of ash.
If the stove burns poorly after start-up, and the glass slowly soots up.	Inadequate chimney draft.	The fault usually already occurs during lighting. Measure the chimney draft.	Improve the chimney draft.
	Insufficient air supply.	Check the air supply.	Read the operating instructions and instruct all users.
	Damp wood.	Use clean, dry wood with a maximum moisture content of 20%.	Firewood should ideally be dried for at least one year after splitting.
	Firewood pieces too large.	Optimal size – see the section for firewood, max. diameter 10 cm.	Use smaller pieces of firewood.
	Insufficient air supply to the room. Range hoods, airtight windows, etc.	Ensure there is sufficient fresh air supply, open a window, check the outdoor air supply.	Depending on the cause, windows must be opened or the outdoor air connection cleaned.
	Insufficient air supply to the room. Range hoods, airtight windows, etc	Ensure there is sufficient fresh air supply, open a window, check the outdoor air supply.	Depending on the cause, windows must be opened or the outdoor air connection cleaned.
The vermiculite in the combustion chamber is becoming very worn.	Wood and flue gases wear down the vermiculite.	Investigate whether the wear is normal.	Normal wear and minor cracks are of no significance. It should be replaced when the steel of the combustion chamber is visible.
Too rapid combustion.	Too much chimney draft.	To test, you can open the cleaning hatch, but remember to close it again.	Measure the chimney draft and install a damper in the flue pipe if necessary.
	The door or ash pan/drawer seal is defective.	While cold, close a piece of paper in the door – the seal should hold the paper gently in place so it does not fall out by itself. Normal wear.	Replace the seal.
The vermiculite in the combustion chamber is cracked.	Shocks or impacts while adding firewood.	Normal wear	Cracks only have cosmetic significance. Replace when the steel of the combustion chamber is visible.
Steel surfaces in the combustion chamber have oxidised.	The temperature in the combustion chamber is too high.	Unsuitable fuel is being used (such as coal). Check the quantity of firewood being used, read the operating instructions.	If there are clear cracks or weaknesses in the stove body, it must be replaced.
The stove whistles	Too much chimney draft	To test, you can open the cleaning hatch, but remember to close it again.	Install a damper.
The stove 'clunks'	Usually due to tension in the metal plates.	Generally only occurs while heating up and cooling down.	Adjust the metal plates.
The stove ticks	Normal expansion and contraction due to temperature changes.	A normal sound.	Ensure that the temperature in the combustion chamber is as constant as possible.
The stove creaks.	The temperature in the combustion chamber is too high.	Use less firewood. Also check the seal in the ash pan/drawer.	See the operating instructions.
The stove smells. The surface is steaming.	The paint on the stove surface is not yet fully hardened.	See the operating instructions regarding the first firing.	Ensure there is sufficient ventilation.
Condensation in the combustion chamber.	Moisture in the vermiculite.	Check the condition of the vermiculite.	Evaporates by itself after the stove has been lit a few times.
	Damp wood.	Measure the moisture content.	Use dry firewood.
Condensation from the flue pipe.	The pipe is too long or the chimney is too cold.	Check the flue pipe's length and heat loss.	Improve the flue pipe, insulate the chimney.
	Damp wood	Measure the moisture content.	Use dry firewood.
Moving parts creak.	Needs lubrication.	What part.	Lubercate with graphite spray.

## CONNECTION OF EXTERNAL AIR FLOW (FRESH AIR)

There is 140 cm from the outside of rear stone to the center of the hole for the external air flow connection through the floor.

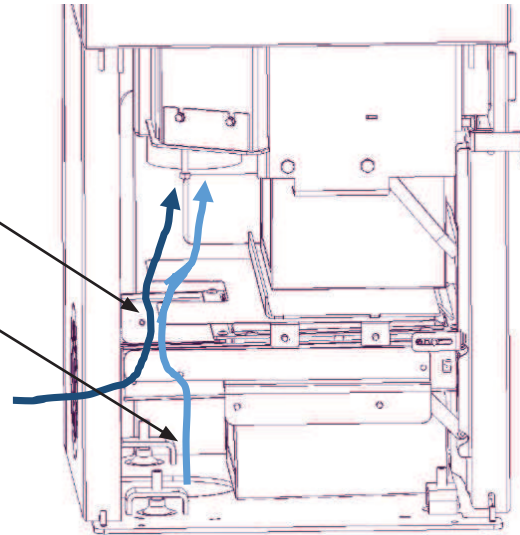
The pipe must fit a flexible  $\varnothing 100$  mm hose.



The external air can be supplied to the stove both from below by removing the pre cut bottom or through the air intake hole in the bottom stone.

It is recommended to use an  $\varnothing 100$  mm alu flex hose that can withstand temperatures up to 200°.

*The flexible hose is not included, but can be purchased separately.*



## INSTALLATION INSTRUCTIONS

Please read carefully before installing the stove.

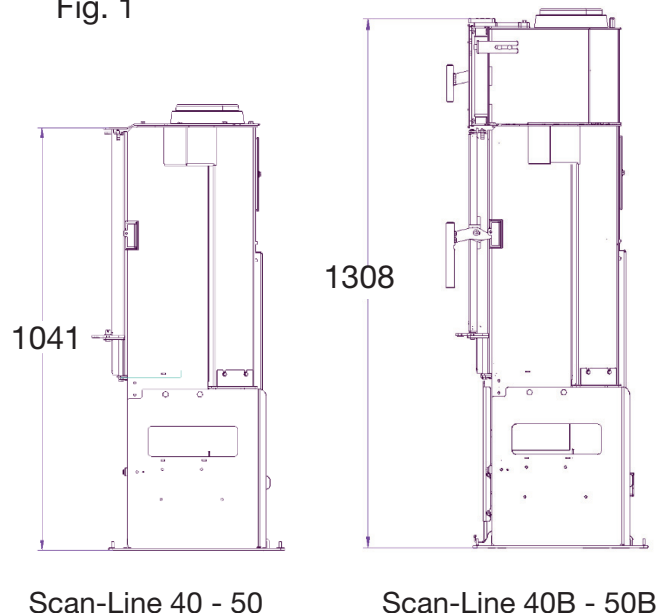
**NB!** Before assembling the stones, ensure that the underlay/floor is level and that the distance from the floor to the top plate is 1035 mm. for Scan-Line 40 - 50 and 1300 for Scan-Line 40B - 50B. The stove must be in level. To adjust, turn the adjusting screws on the base up/down. Fig. 1.

We recommend installation of the stones is carried out by two people.



A standard set of brackets and pins are provided for installation of the stones. Refer to the overview on page 11 - 13 to see how many brackets/pins are required.

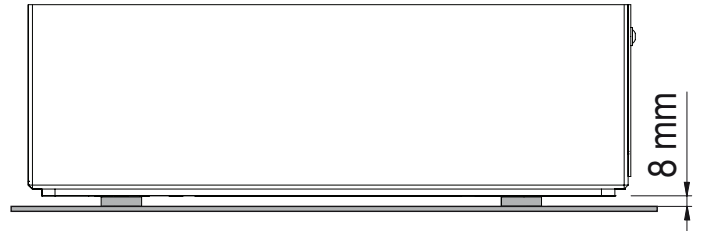
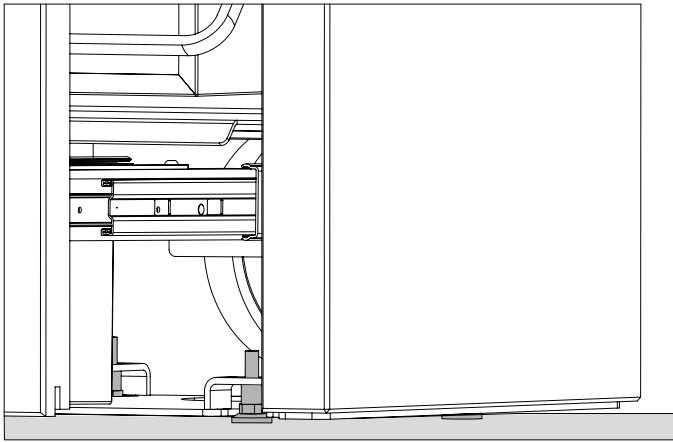
Fig. 1



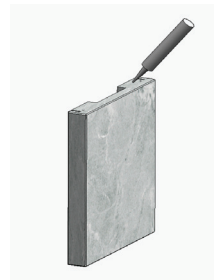
# ADJUSTABLE FEET



The oven must be placed on adjustable feet that are raised 8 mm.



If required, lubricate the pin holes with a small amount of silicon. Can also be applied between the stones.

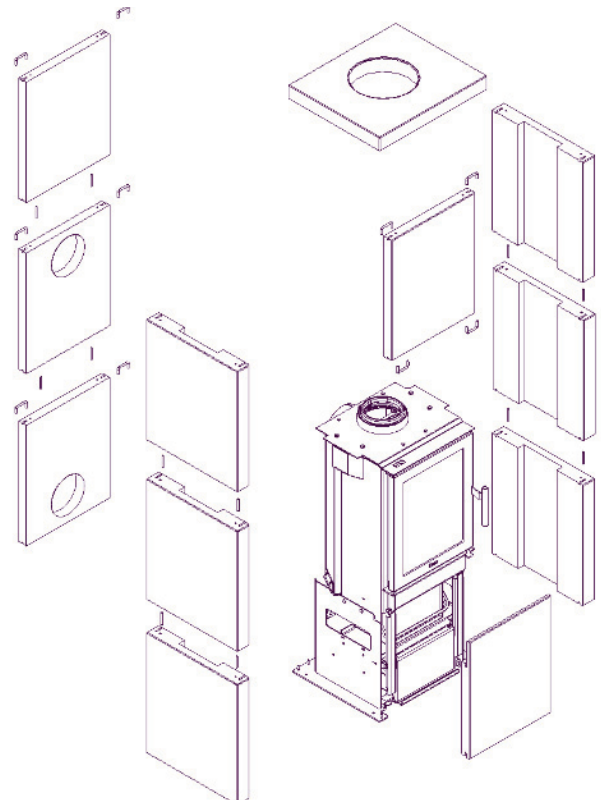
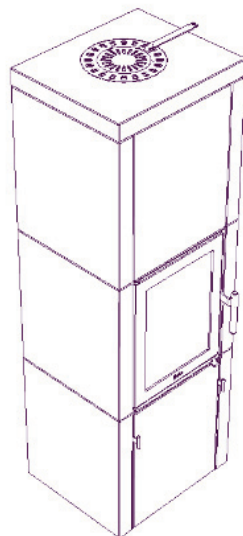


# SCAN-LINE 40 SOAPSTONE

10 x standard brackets



12 x standard pins

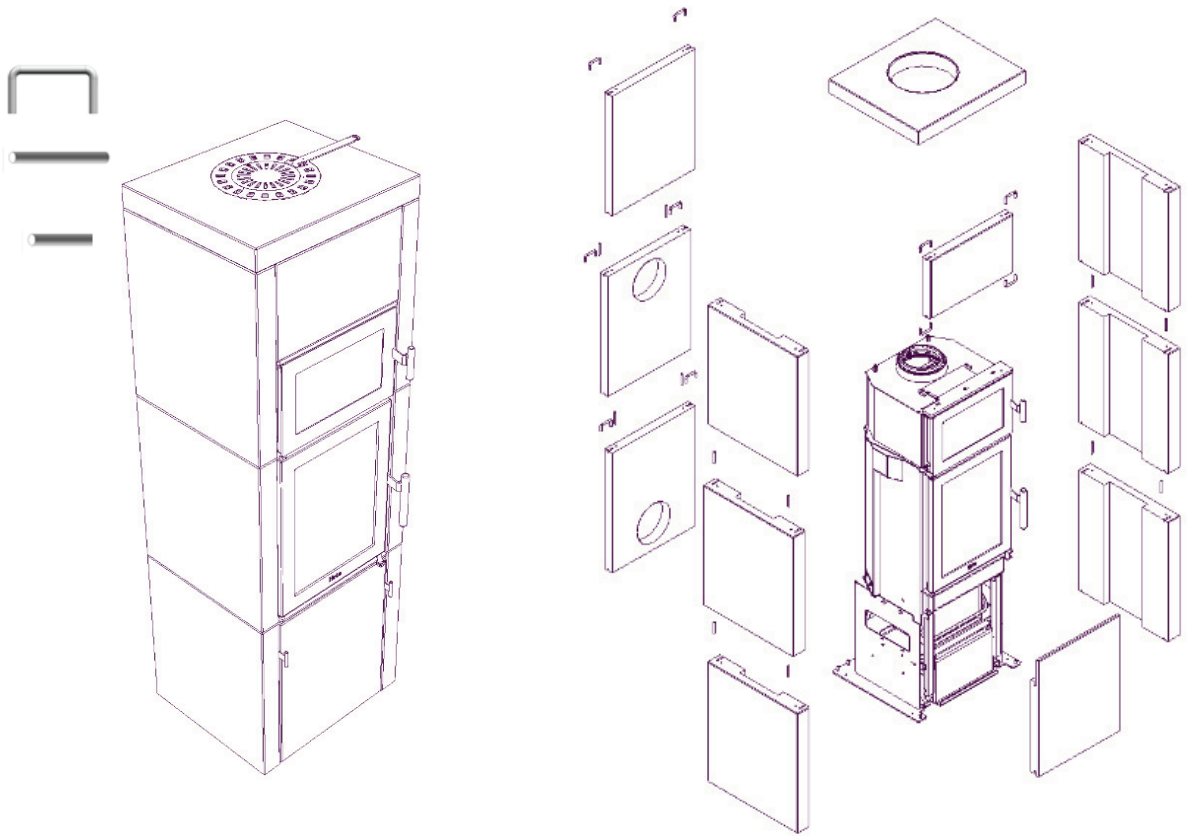


## SCAN-LINE 40B SOAPSTONE

10 x standard  
brackets

12 x standard  
pins

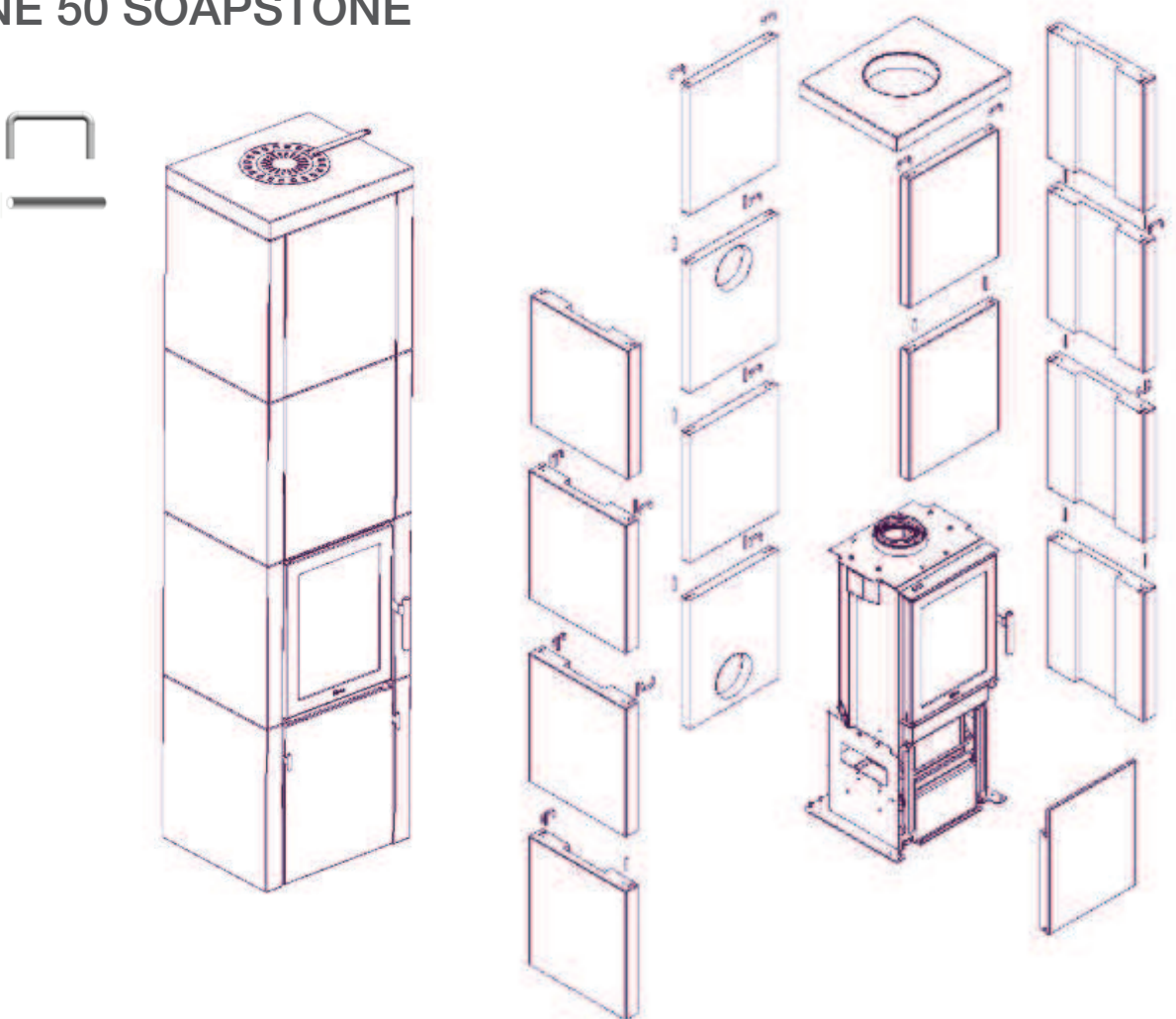
2 small pins



## SCAN-LINE 50 SOAPSTONE

14 x standard  
brackets

20 x standard  
pins



# SCAN-LINE 50B SOAPSTONE

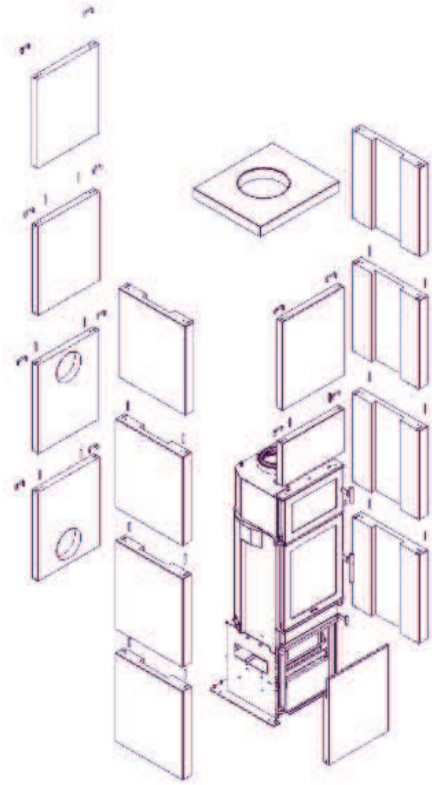
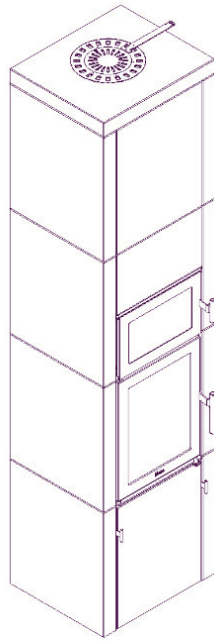
14 x standard brackets



20 x standard pins



2 small pins



# SCAN-LINE 40 BLACKWOOD

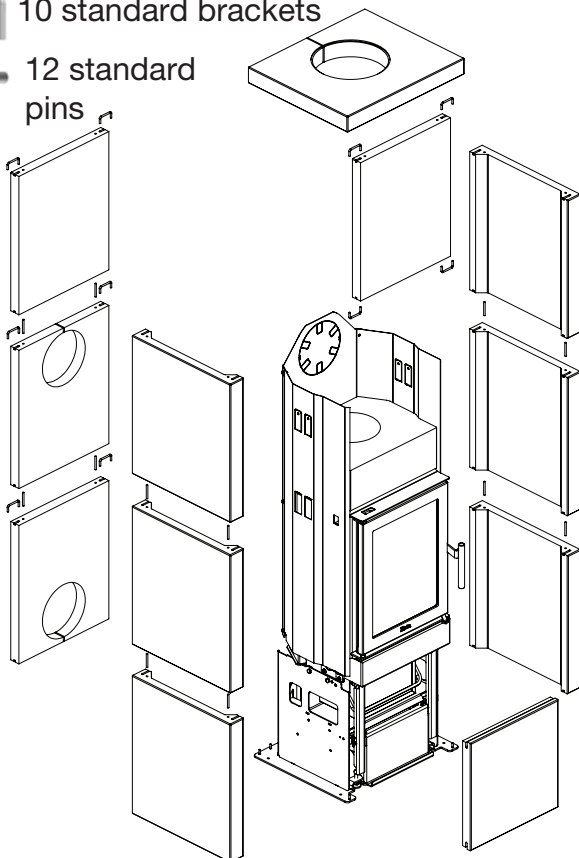
10 standard brackets



12 standard pins



2 small pins



# SCAN-LINE 40B BLACKWOOD

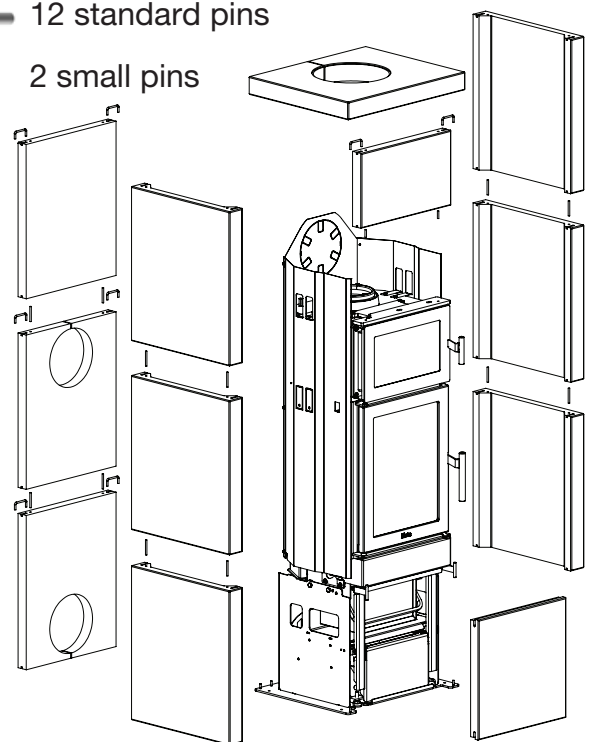
10 standard brackets



12 standard pins

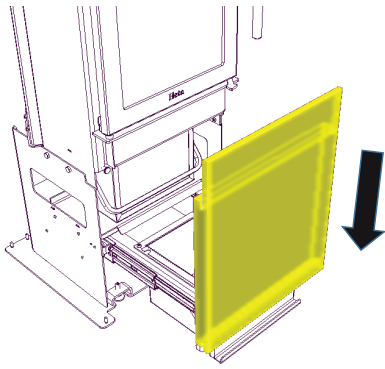


2 small pins



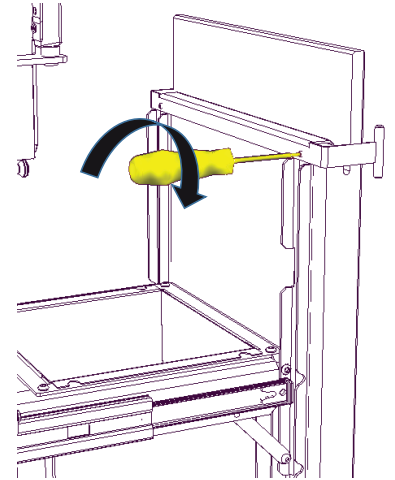
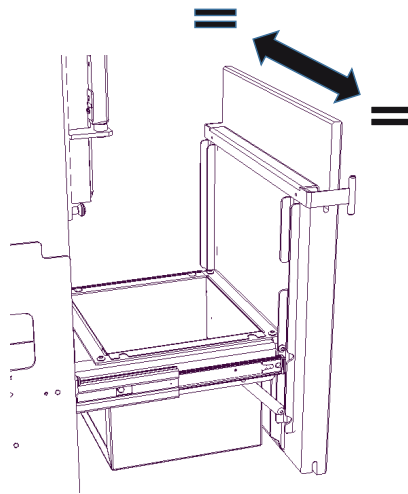
# SCAN-LINE 40, 40B, 50 AND 50B - SOAPSTONE

Fig. 2



The handle is fitted by placing it into the groove in the stone and the ash pan frame. Adjust the handle so that it is placed in the middle of the ash pan frame.

Place the stone into the groove on the door so that it is equidistant to both sides.  
**Important!** The stone must be manually held in place until the handle is fitted.



Tighten the handle with the supplied two M5x6 screws.

# SCAN-LINE 40 AND 40B - BLACKWOOD

Mounted in the same way as soapstone.

Fig. 2

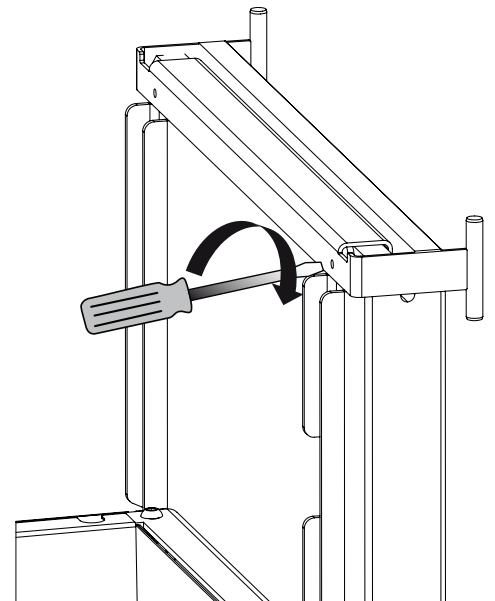
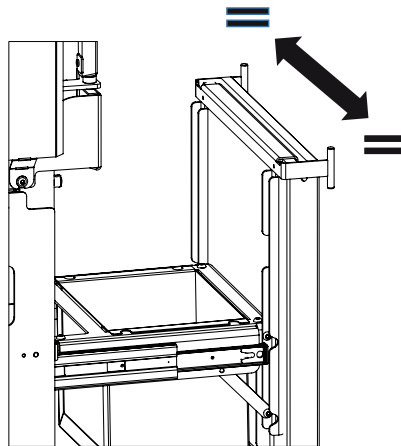
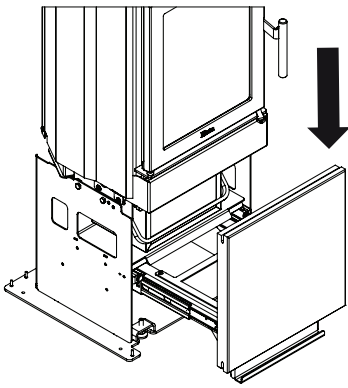
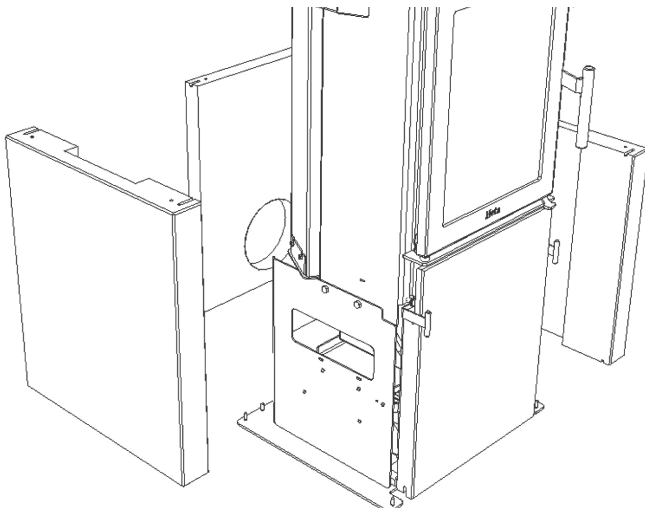
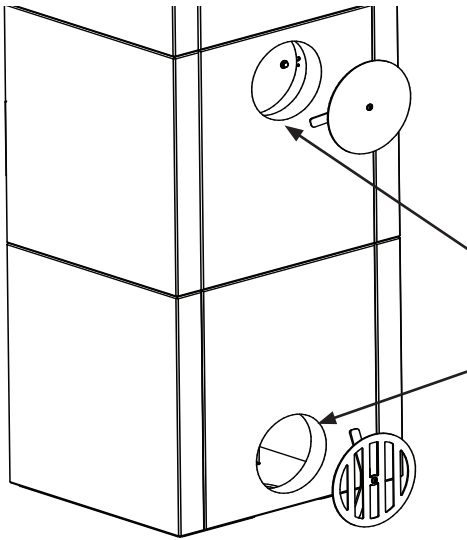


Fig. 3



Continue with sidestones as shown in fig. 3. and place Brackets under. Then place the backstone with hole for convection and finish the first round with a sidestone.

Fig. 4



**NB:**

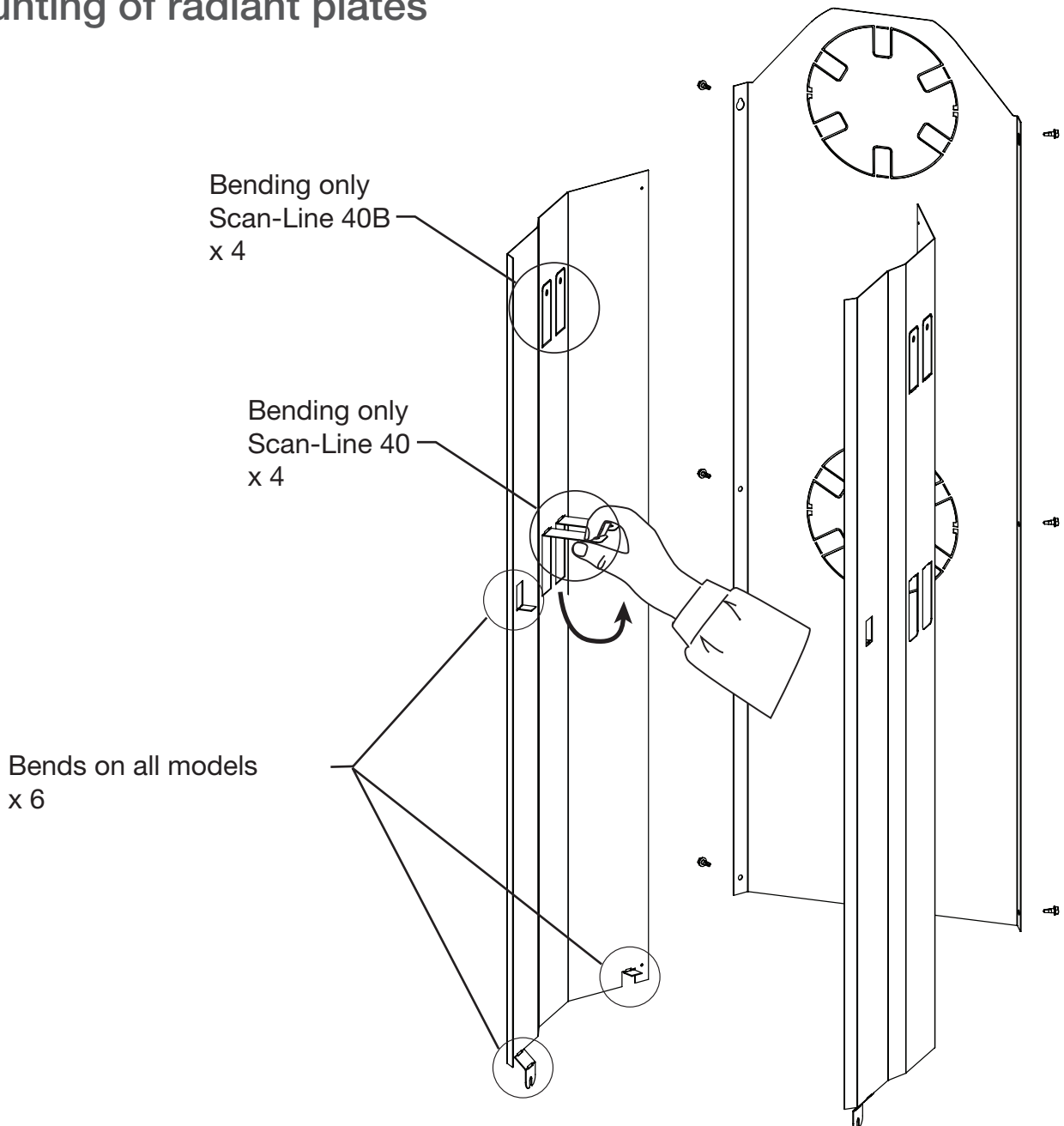
Behind the stove, the stone with hole for convection, must be placed at the bottom. The next stone with hole is put on top if there is smoke outlet behind. Fig. 4.

The closed cover should be placed here unless the stove should be mounted with back outlet.

The open cover should be placed here.

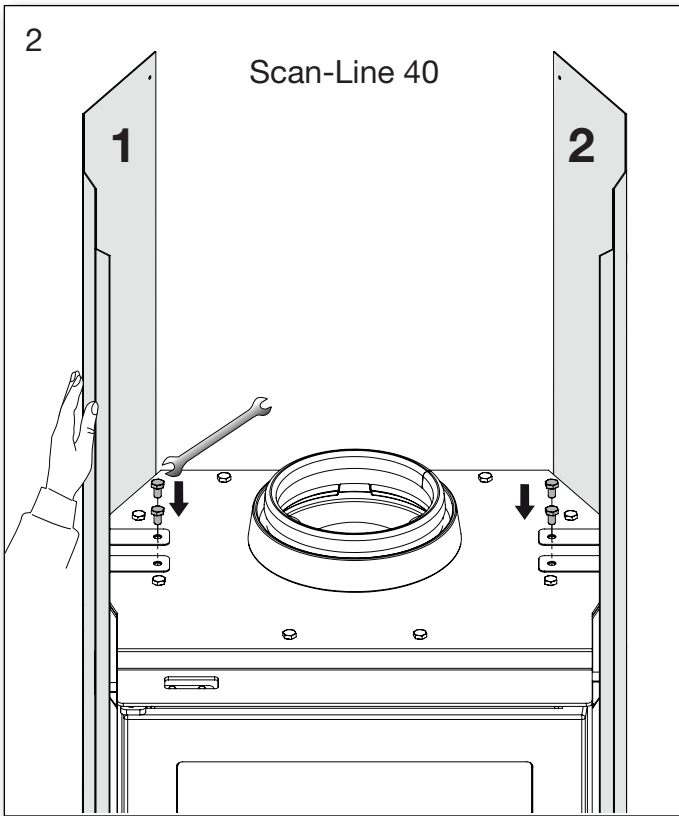
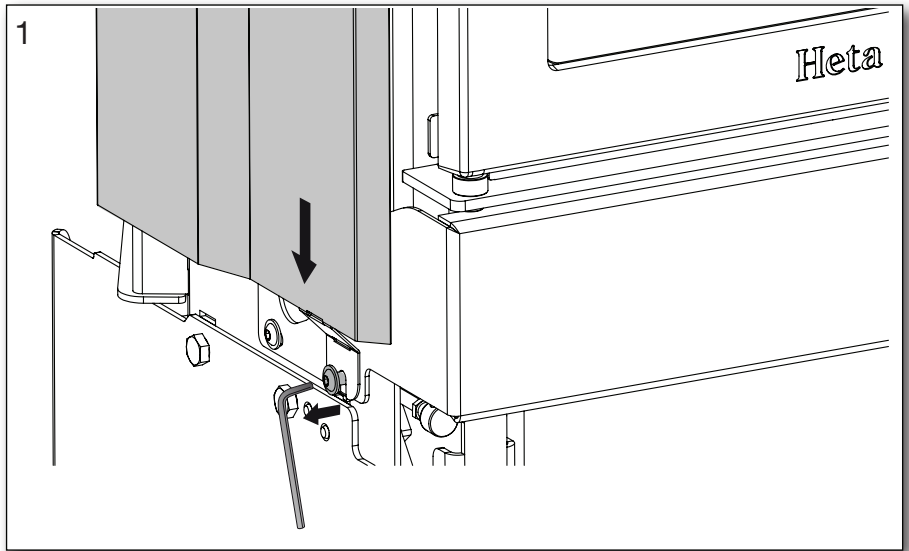
## SCAN-LINE 40 AND 40B - BLACKWOOD

### Mounting of radiant plates

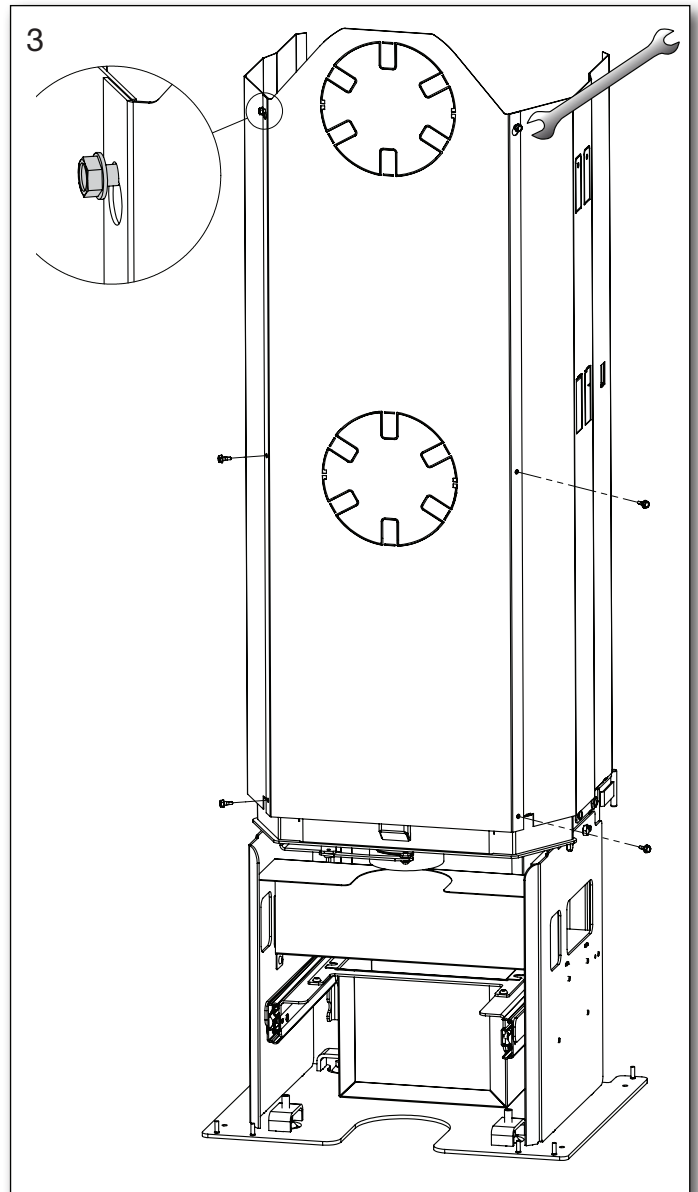


Loosen only the front screw on both sides and set radiant plates down.

Tighten the screws.



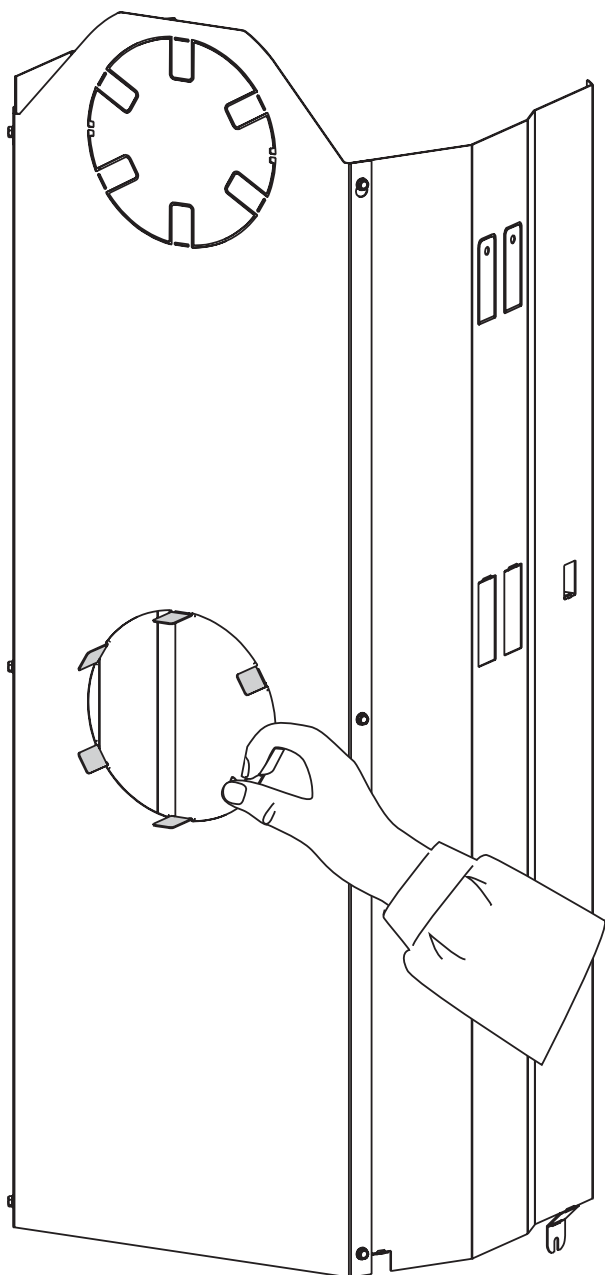
Baking oven models are mounted in the same way on the upper brackets.



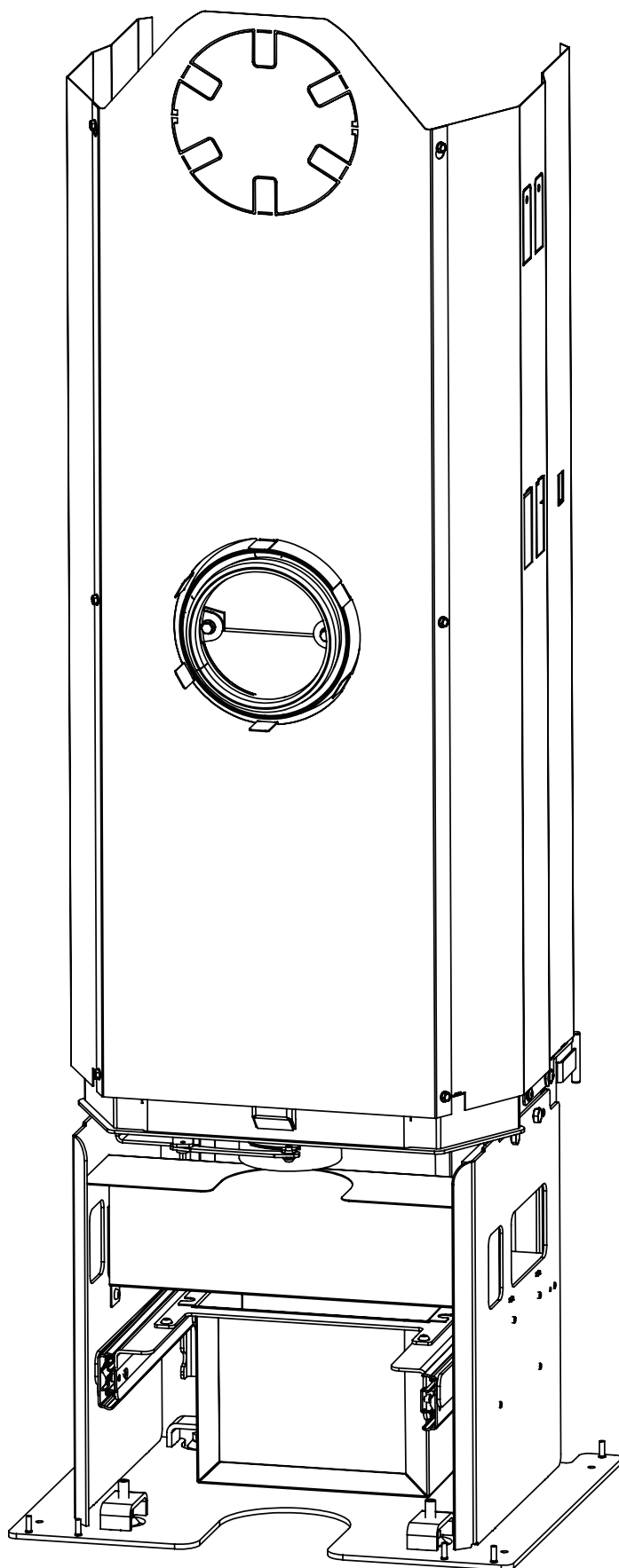
Insert the top two screws and hang the back plate.  
Tighten the screws.

# SCAN-LINE 40 AND 40B - BLACKWOOD

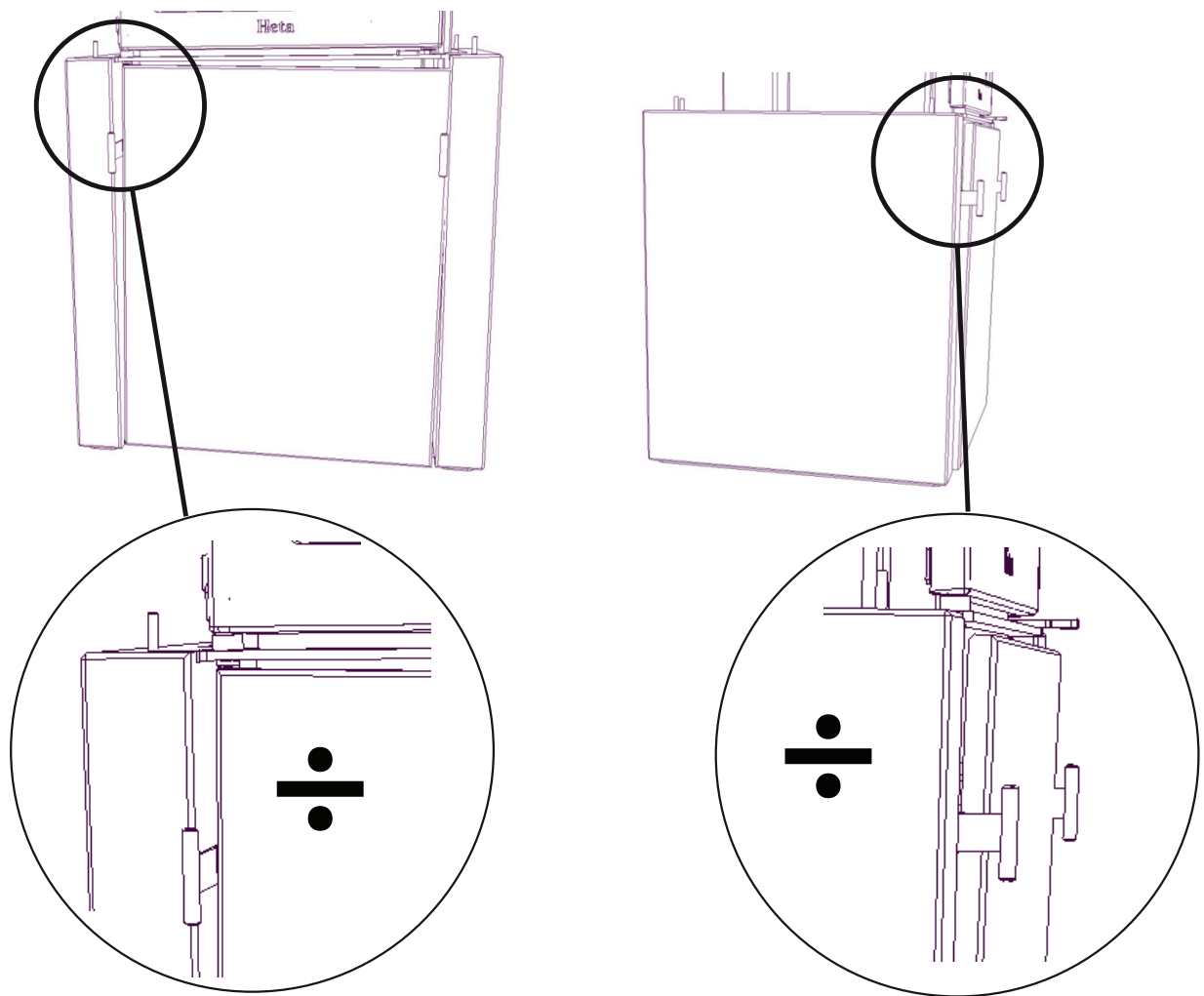
## Mounting of radiant plates at rear exit



Remove the back plate, bend the pins where the rear exit should be.

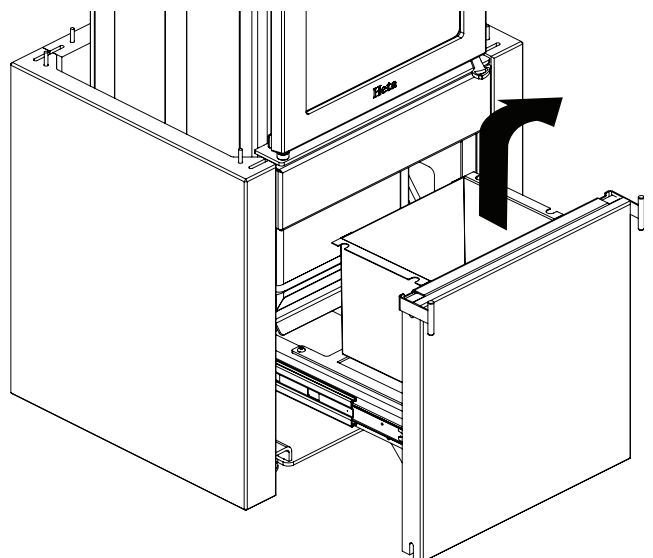
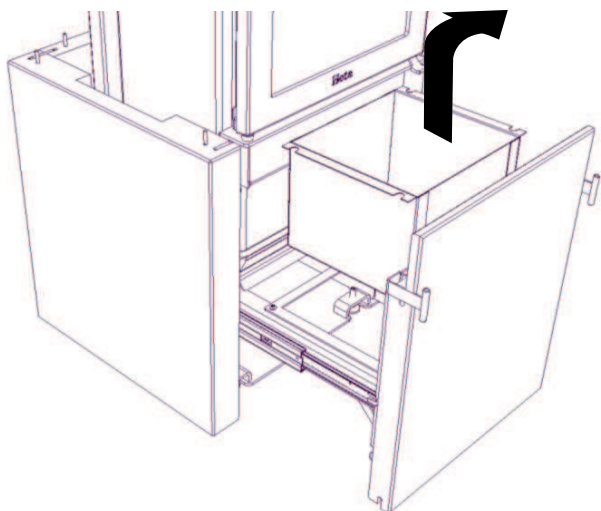


# SCAN-LINE 40, 40B, 50 AND 50B

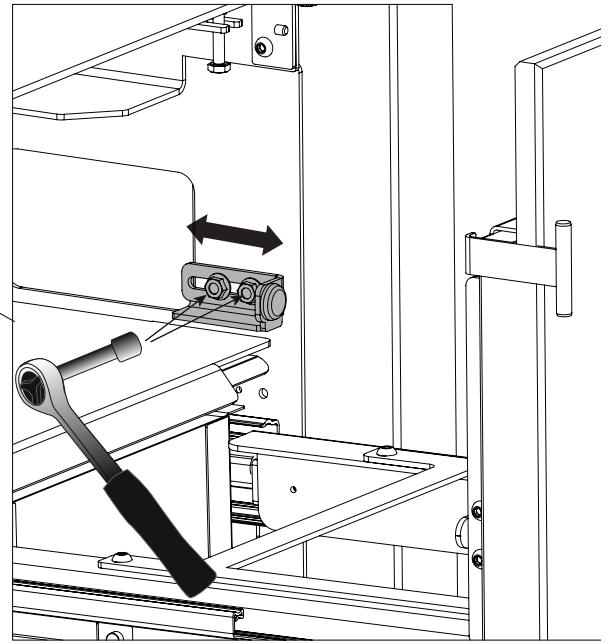
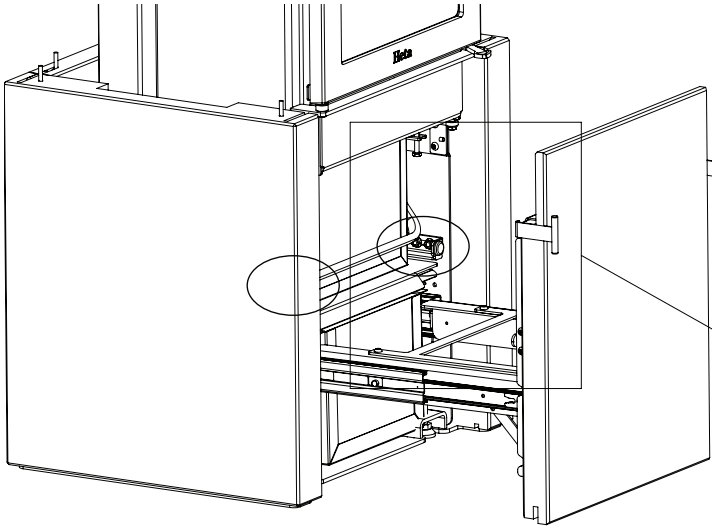


## SOAPSTONE

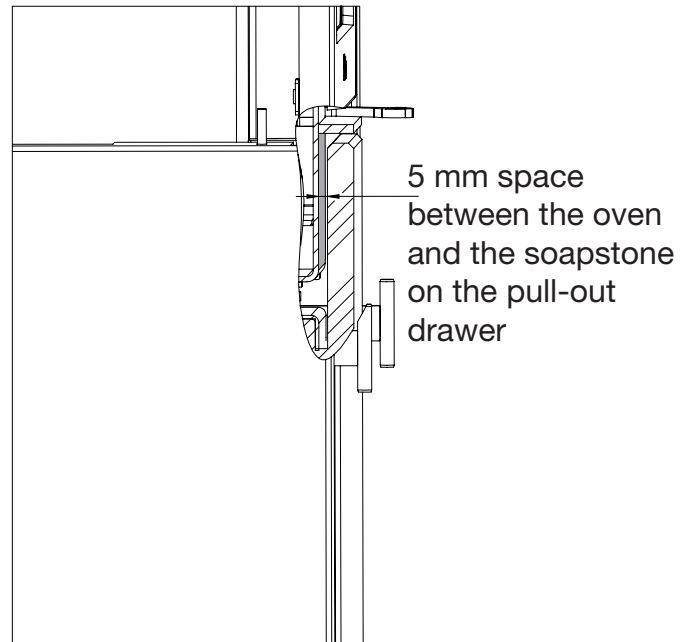
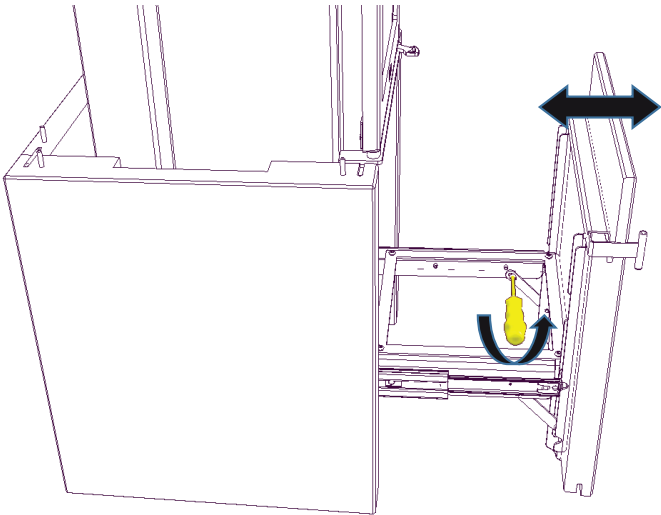
## BLACKWOOD



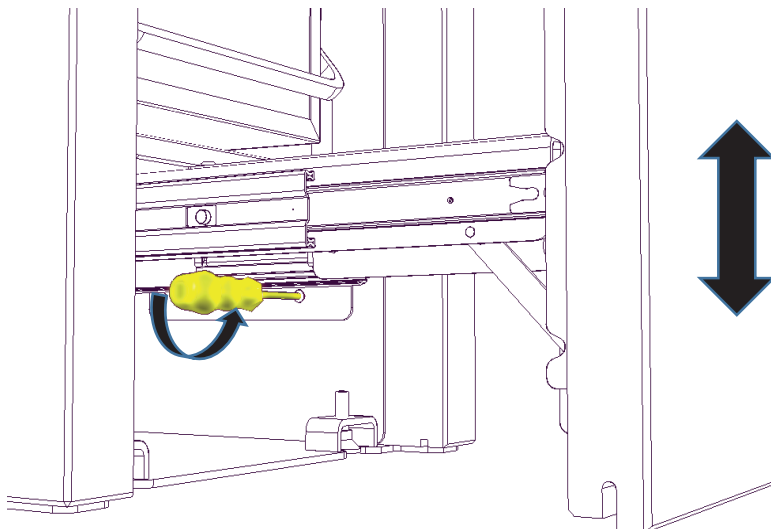
# SCAN-LINE 40, 40B, 50 AND 50B



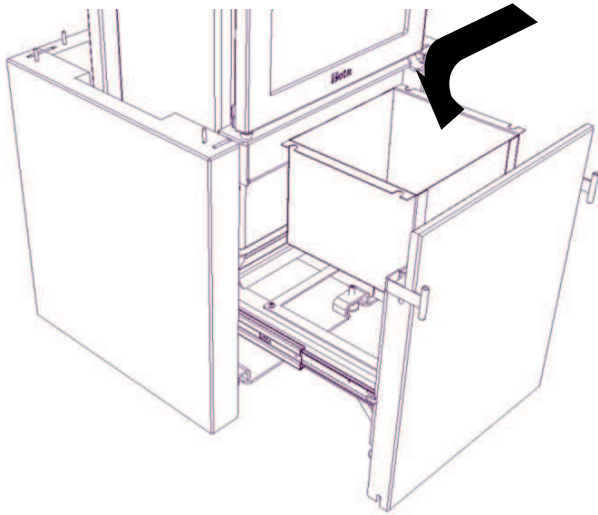
Tighten with  
10 NM torque



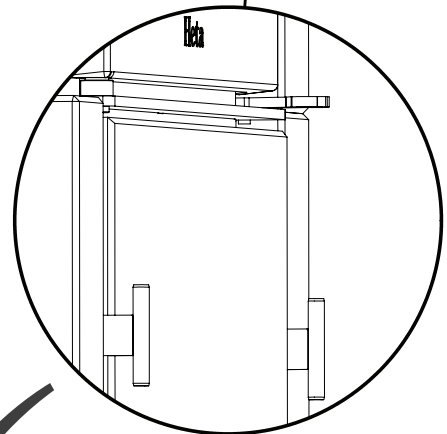
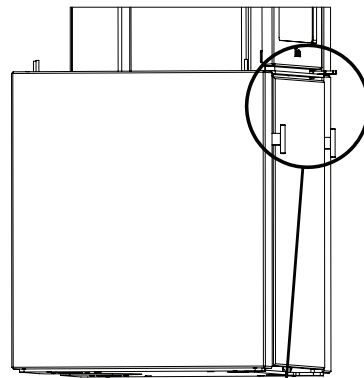
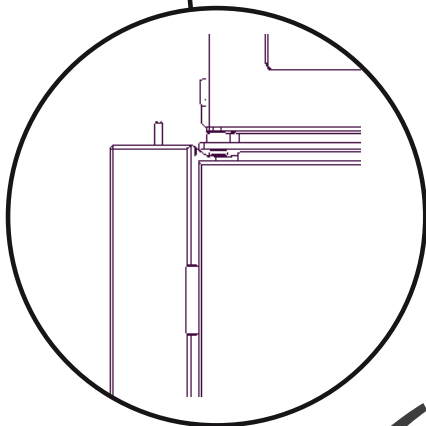
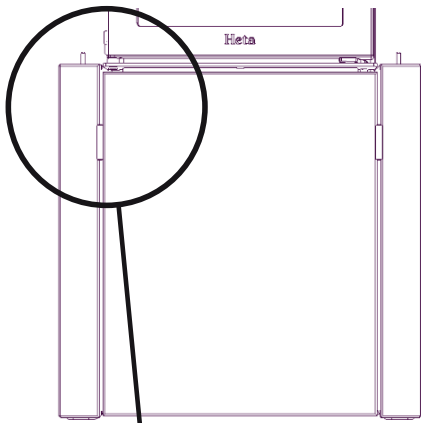
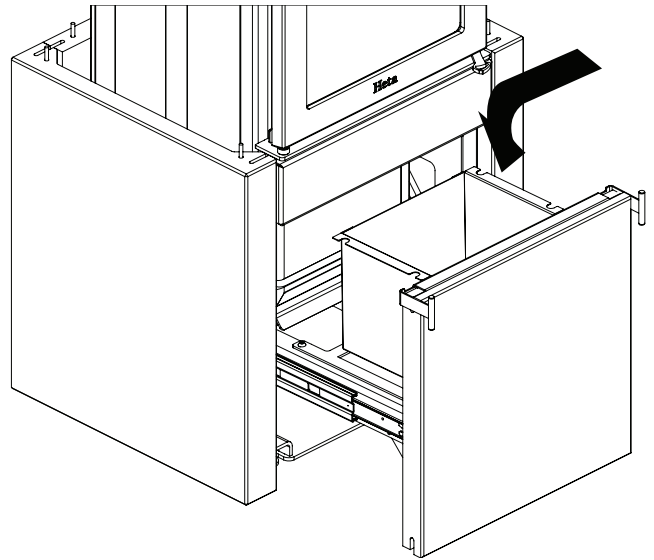
5 mm space  
between the oven  
and the soapstone  
on the pull-out  
drawer



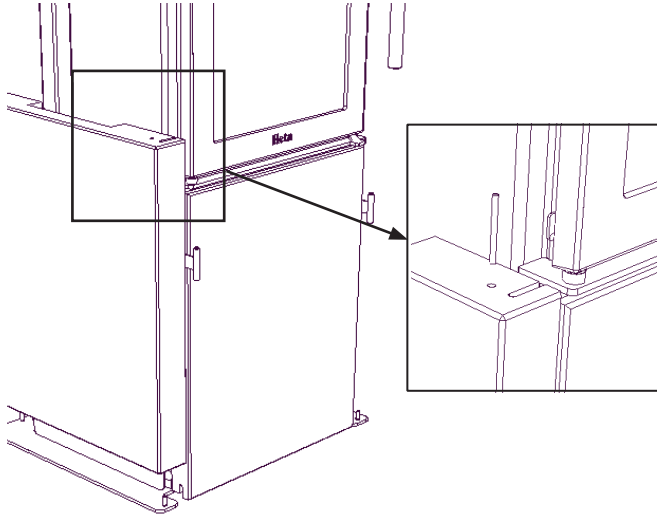
# SOAPSTONE



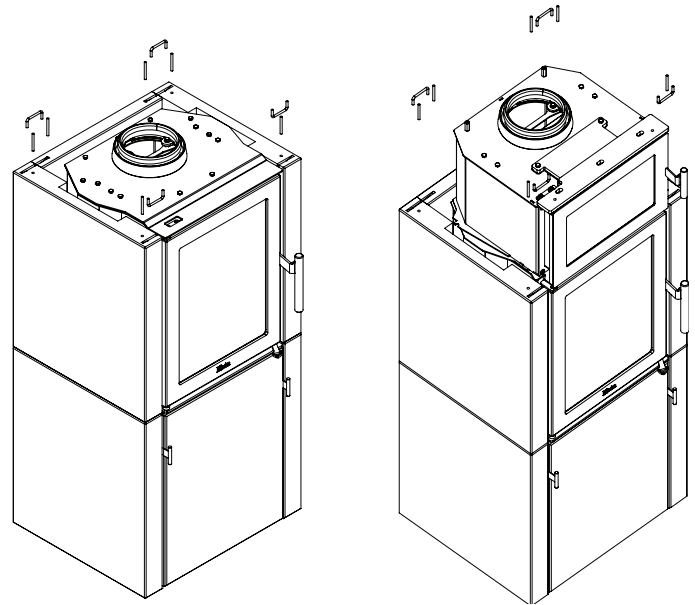
# BLACKWOOD



## SCAN-LINE 40, 40B, 50 AND 50B SOAPSTONE

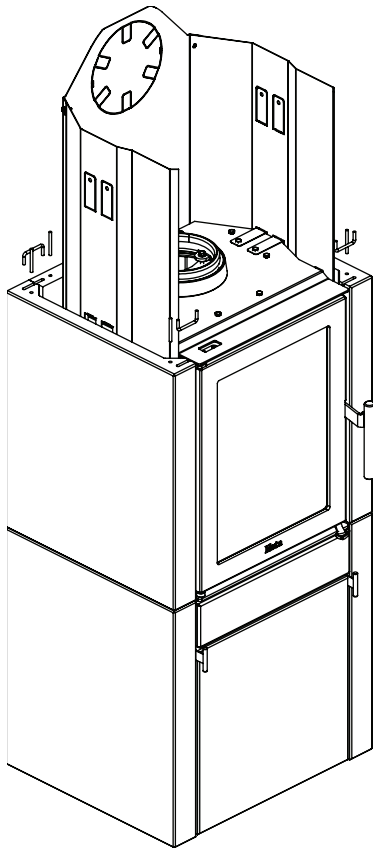


Put brackets and pins in as shown.

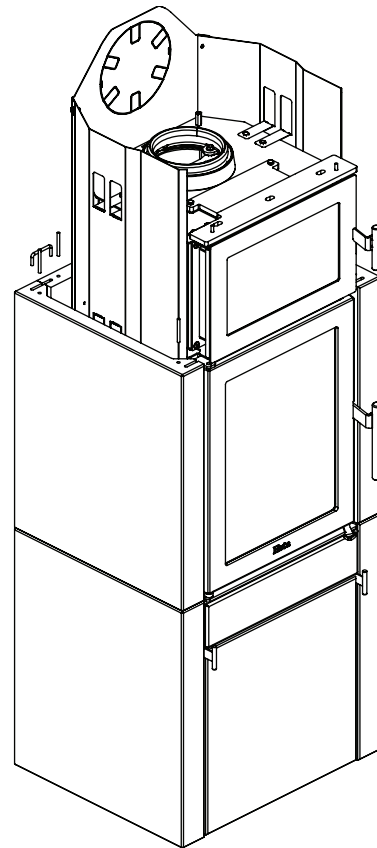


Continuing with the next row.  
Start with sidestone, backstone and then  
sidestone again.  
Place brackets and pins.

## SCAN-LINE 40 AND 40B - BLACKWOOD



Put brackets and pins in as shown.



Continuing with the next row.  
Start with sidestone, backstone and then  
sidestone again.  
Place brackets and pins.

# THERMASTONES SOAPSTONE AND BLACKWOOD

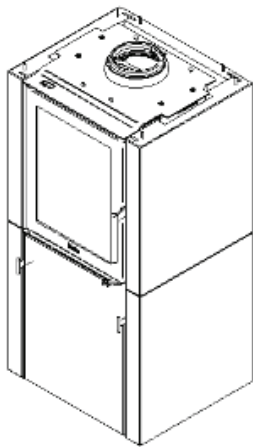
Optional thermastones are also available for Scan-Line 40, 40B, 50 and 50B.

Three thermastones can be installed in this stove.

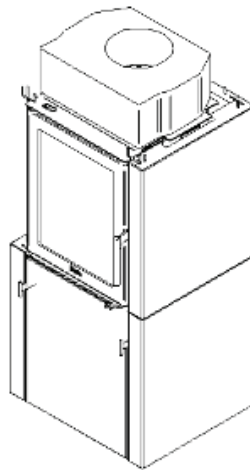
The thermastones must be added after the stones have been placed and the stove/firebox has been adjusted.

Continue with the 3. row.

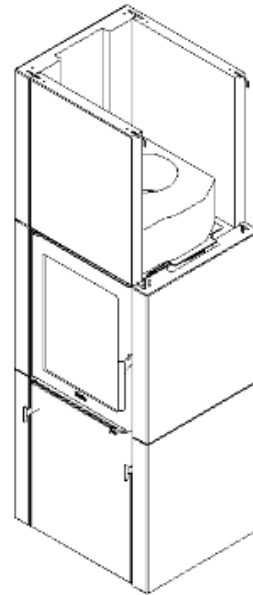
## SCAN-LINE 40 AND 50



Trin 1

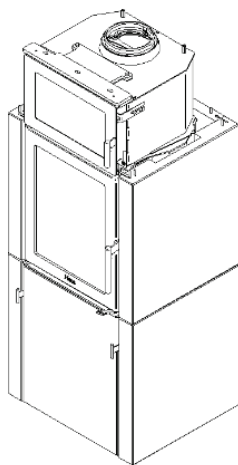


Trin 2

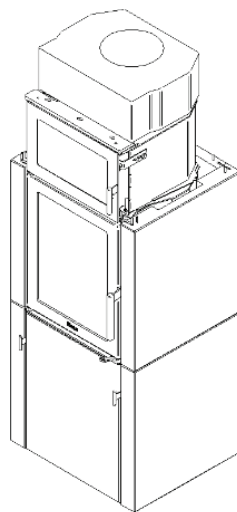


Trin 3

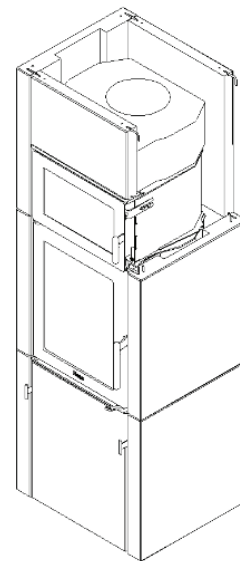
## SCAN-LINE 40B AND 50B



Trin 1



Trin 2



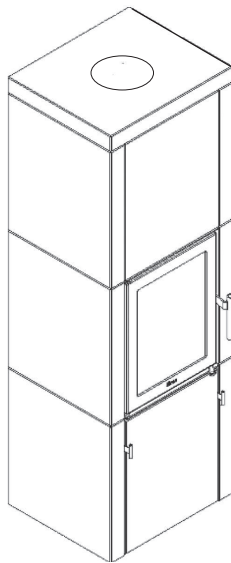
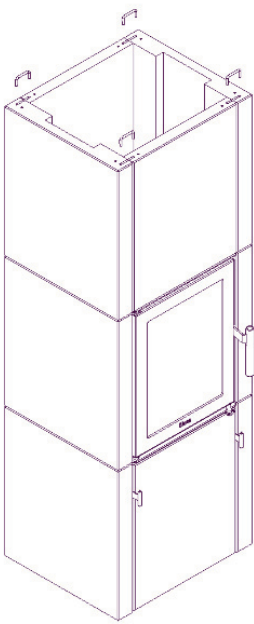
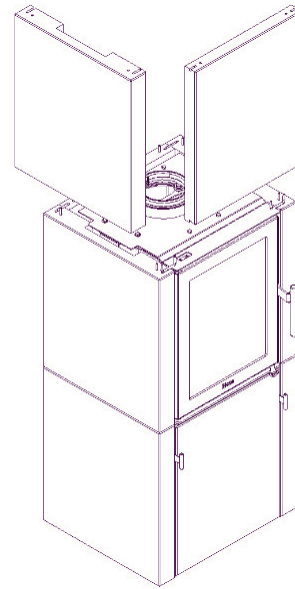
Trin 3

## SCAN-LINE 40 AND 50

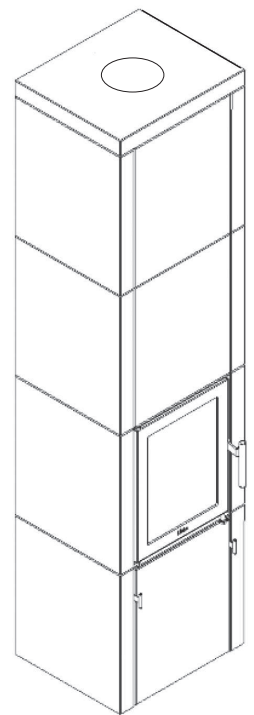
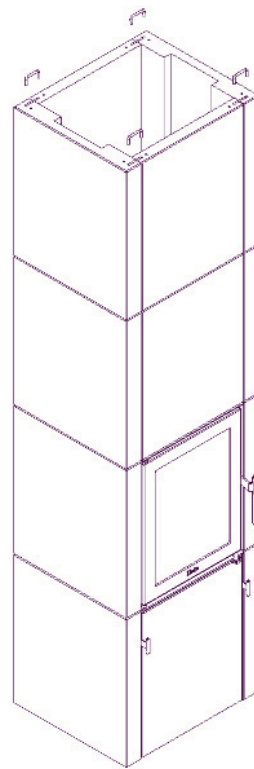
Start with the front stone with the two brackets beneath (resting on the metal frame) and then a side stone, which should be placed on the pins/brackets.

Continue with back stone and then a side stone. Place brackets and pins on the top. No pins are necessary.

Finish with the topstone - place it loose on top.



Scan-Line 40



Scan-Line 50

# SCAN-LINE 40B AND 50B

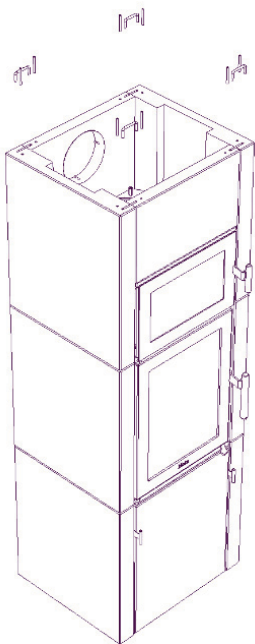
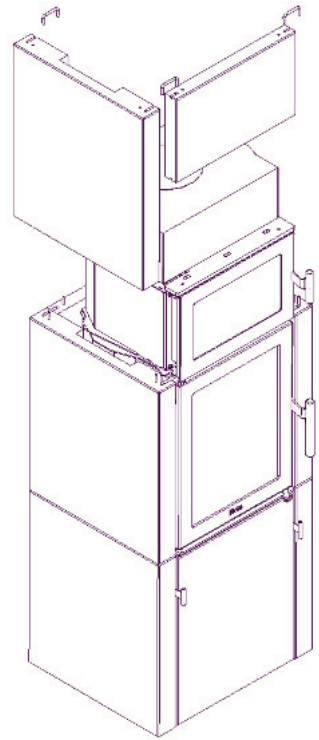
Start with the front stone with the two brackets beneath (resting on the metal frame) and then a side stone, which should be placed on the pins/brackets.

Continue with back stone and then a side stone. Place brackets and pins on the top. No pins are necessary.

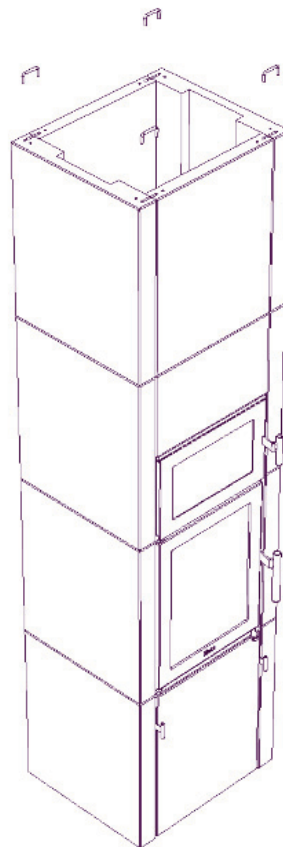
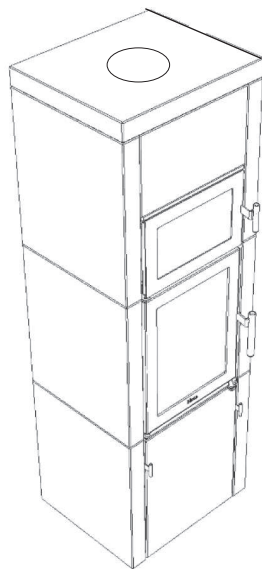
Finish with the topstone - place it loose on top.

Again start with the sidestone and then the small stone on top of the backing oven.

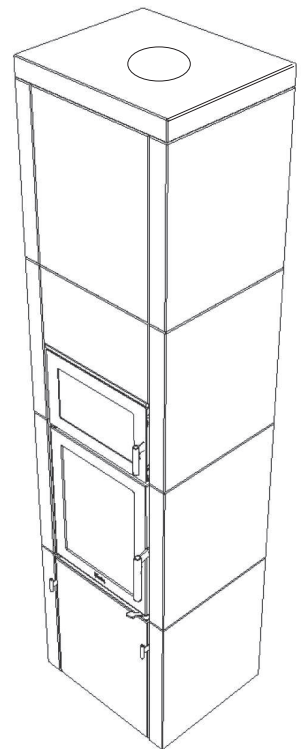
(Place it down on the 2 small pins).



Scan-Line 40B



Scan-Line 50B

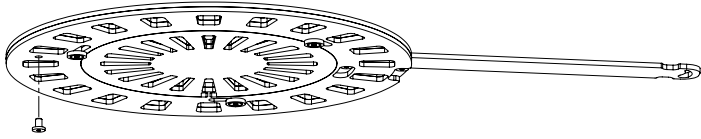


# SCAN-LINE 40, 50, 40B AND 50B CONVECTION

If the stove has a top flue, break of the inner ring.

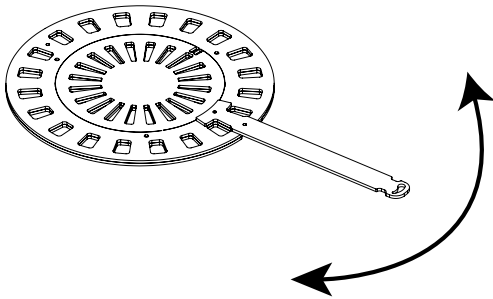
Fig. 1 Soapstone / Blackwood

6000-030113



For soapstone, the top screw must be removed to open / close for convection. Fig. 1.

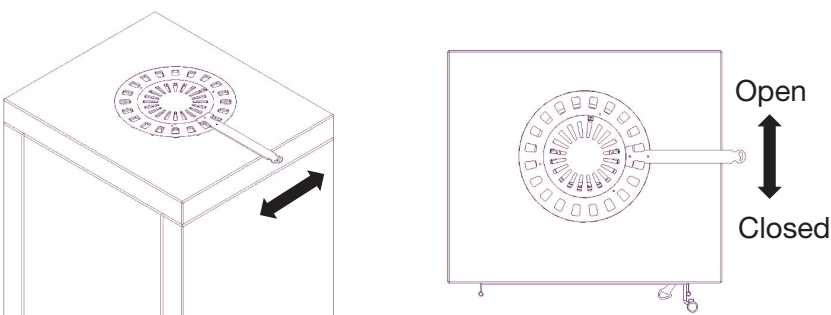
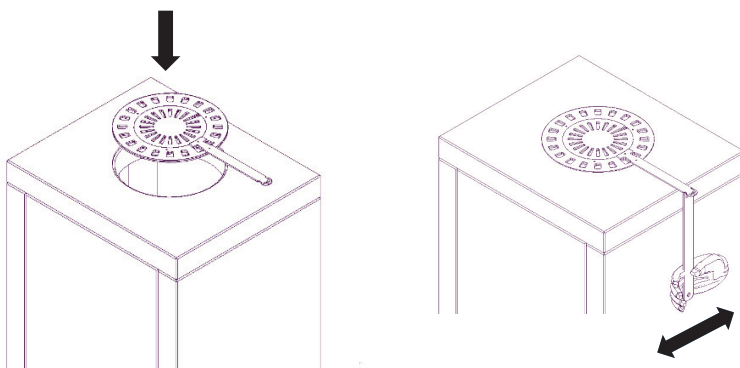
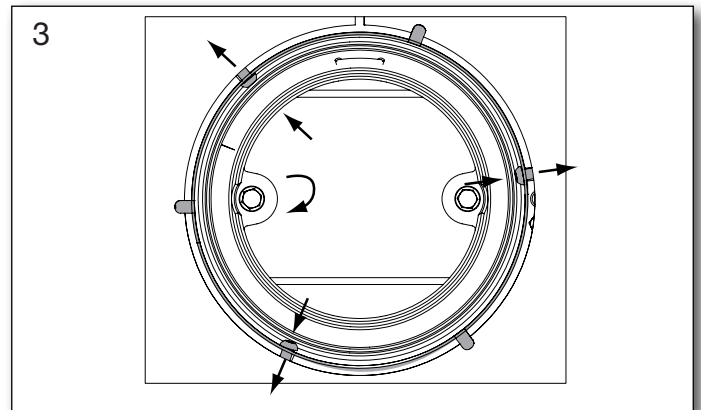
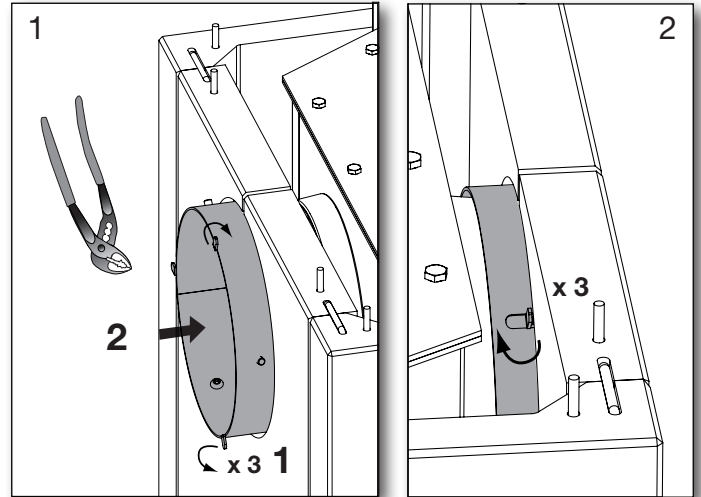
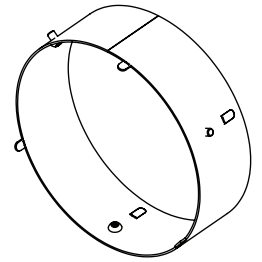
Fig. 2



## Soapstone / Blackwood

Regulate the convection air flow by turning the handle on the side of the stove.

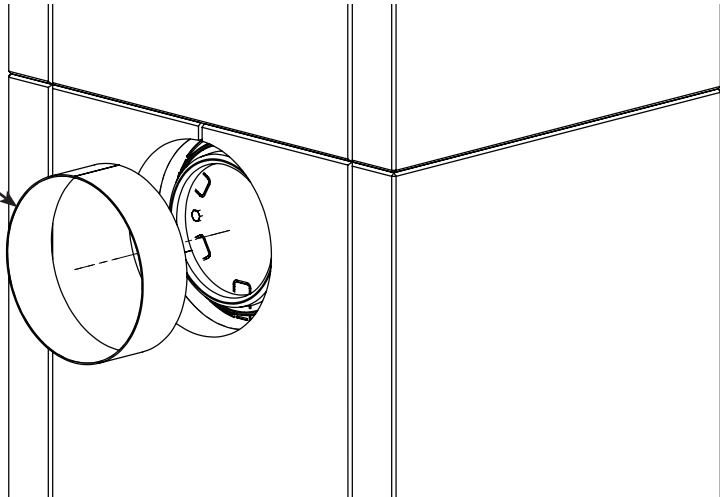
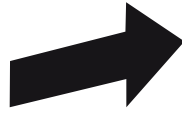
**Soapstone**  
At the rear exit,  
6000-030139 must be  
mounted



# SCAN-LINE 40 AND 40B - BLACKWOOD

At the rear exit on the Blackwood models, ring no. 1013-024955 must always be fitted.

1013-024955



## Guarantee

Heta wood stoves, are subjected to a strict quality control during production and before delivery to the dealer. Therefore, the duration of the warranty is **5 years** on this product, covering manufacturer's defects, **2 years** on electronic components. In addition, there is a **3-month** goodwill warranty, on gaskets, vermiculite and glass from the date of sale from the shop. Photos of the damaged parts must be sent for review.

Claims concerning stoves older than **3 months**, will be assessed by our quality team on a one-by-one basis. Report all claims to your approved / authorised HETA dealer, who in turn will contact Heta to solve the claim. Any stoves purchased online or via a 3rd party carry a standard 1-year warranty with engineer visits & parts being chargeable. To file a claim please provide date of installation, picture of the silver data sticker, model and a description of the issue and pictures.

The guarantee does not cover:

- Wearing parts / fragile parts such as:
- Vermiculite elements in the combustion chamber.
- Glass
- Seals
- The cast bottom or shaking grate
- Surface or paint deteriorations due to excessive humidity, salinity or other aggressive environment
- Damage caused by improper use
- Transportation costs for warranty repair
- Assembly / disassembly of warranty repair
- Any secondary damages of the stove or it's environments due to negligence of any initial damages whether this damage is covered or not by the manufacturers guarantee.

## Warning



Inadequate installation, unauthorized alteration to the stove or the use of non-original parts will void the guarantee.

**Ecodesign**  
**EU Declaration of Conformity**

DoC Scan-Line 500 2354-2018



Manufacturer	Heta A/S
Adress	Jupitervej 22, DK 7620 Lemvig
E-mail	heta@heta.dk
Website	www.heta.dk
Telephone	+45 9663 0600

**Product fiche**

<b>Model identifier</b>	Scan-Line 500, 510, 520, 520B, 550, 551, 560B, 560S, 590, Turin, Turin B, Napoli, 10-20-20B-30-30B, Tour 10-20-30, 40-40B-50-50B serie
-------------------------	--

<b>The identified product described above is in conformity with:</b>		
<b>The relevant EU harmonized regulations:</b>		
DIR 2009/125/EF		
REG (EU) 2015/1185		
REG (EU) 2015/1186		
REG (EU) 2017/1369		
REG (EU) 305/2011		
<b>The relevant harmonized standards</b>		
EN 13240:2001/A2:2004		
CEN/TS 15883:2010		

<b>Characteristics when operating with the preferred fuel only</b>		
<b>Heat output</b>		
<b>Item</b>	<b>Symbol</b>	<b>Value/Unit</b>
Nominal heat output	$P_{nom}$	6 kW
Minimum heat output	$P_{min}$	
<b>Useful efficiency (NCV as received)</b>		
Useful efficiency at nominal heat output	$\eta_{th, nom}$	82%
Useful efficiency at minimum heat output	$\eta_{th, min}$	
<b>Auxiliary electricity consumption</b>		
At nominal heat output	$el_{max}$	- kW
At minimum heat output	$el_{min}$	- kW
In standby mode	$el_{SB}$	- kW


<b>Type of heat output/room temperature control</b>	
single stage heat output, no room temperature control	Yes
two or more manual stages, no room temperature control	No
with electronic room temperature control	No
with electronic room temperature control	No
with electronic room temperature control plus day timer	No
with electronic room temperature control plus week timer	No

<b>Other control options</b>	
room temperature control, with presence detection	No
room temperature control, with open window detection	No
with distance control option	No

<b>Notified body relevant to the assessment and verification of constancy of performance</b>
Danish Technological Institute, DK-8000 Aarhus No. 1235. Report no. 300-ELAB-2354-EN

Fuel	Preferred fuel	Other suitable fuel
Wood logs with moisture content $\leq 25\%$	Yes	No
Compressed wood with moisture content $< 12\%$	No	Yes
Other woody biomass	No	No
Non-woody biomass	No	No
Anthracite and dry steam coal	No	No
Hard coke	No	No
Low temperature coke	No	No
Bituminous coal	No	No
Lignite briquettes	No	No
Peat briquettes	No	No
Blended fossil fuel briquettes	No	No
Blended biomass and fossil fuel briquettes	No	No
Other blend of biomass and solid fuel	No	No

<b>Emissions at nominal heat output</b>	$\eta_s$ %	mg/Nm <sup>3</sup> (13 % O <sub>2</sub> )			
		PM	OGC	CO	NO <sub>x</sub>
	$\geq 65$	$\leq 40$	$\leq 120$	$\leq 1500$	$\leq 200$
	72	16	50	558	90

<b>Technical documentation</b>	
Indirect heating functionality:	No
Direct heat output:	6 kW
Energy Efficiency Index (EEI):	EEI 109
Fluegas temperature at nominal heat output	T 243°C
Energy efficiency class	

<b>Safety</b>	
Reaction to fire	A1
Test of fire safety in connection with the burning of wood	Approved
Distance to combustible materials	Minimum distances in mm
Rear. Without insulation / with insulation	150
Sides distance to combustible materials	350
Furniture distance	1000

Signed on behalf the manufacturer of 20.11.2025

The chimney sweep's signature Date \_\_\_\_\_

**Heta A/s**  
 JUPITERVEJ 22 - DK-7620 LEMVIG  
 TLF. +45 9663 0600 - FAX +45 9663 0616  
 Martin Bach

Signature \_\_\_\_\_

